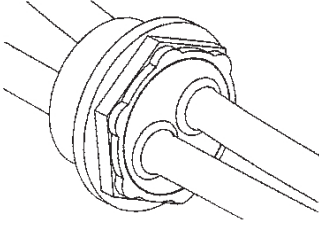
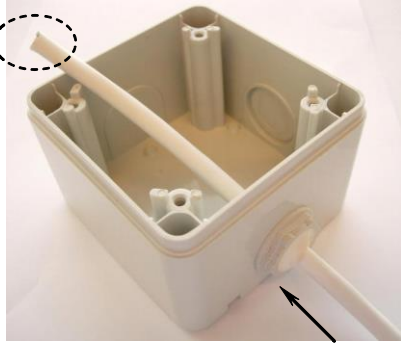

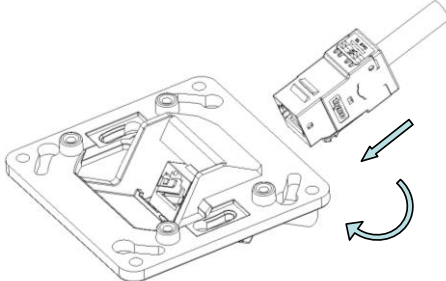
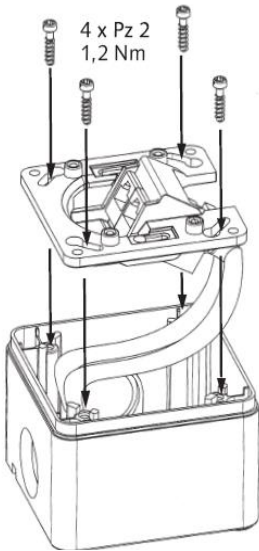


AMP NETCONNECT®: IP 44 Industrial Outlet for SL Series and AMP-TWIST Jack

1. INTRODUCTION.

This Instruction sheet describes assembly procedures for IP 44 Industrial Outlet and SL series Jack and AMP-TWIST Series Jack.

The IP 44 Industrial Outlet accepts UTP SL Jack (PN 1375055-X), AMP-TWIST-6S SL Jack (1711342-X) and AMP-TWIST 6_AS SL Jack (PN 1711716-X).

<p>1</p> <p>Cable (or cables) through membrane to keep IP-degree</p> 	<p>2</p> 
<p>3</p> <p>Terminate the connector using relevant Instruction sheet: 411-93007, 411-93016 or 408-8417. (depending on the connector used)</p> 	<p>4</p> 
<p>5</p> <p>4 x Pz 2 1,2 Nm</p> 	<p>6</p> <p>4 x Pz 2 1,2 Nm</p> 