

Packless Industries

P.O. Box 20668 , Waco, Texas 76702
 1-800-347-4859 . (254) 666-7893
<http://www.packless.com>

Product #:
 COAX-2076-H

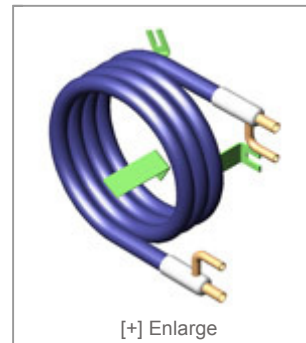
Helix with Bracket

Condenser Coils / Heat Pump Coils

- **7000 Series - High Efficiency Green Surface Coils**
- Excellent for both Water-Source Heat Pump and Water-Cooled Condenser applications
- Highly effective convoluted inner tubes of copper or cupronickel
- Fifteen standard sizes for 1/2 through 30 ton systems
- Available in Helix, Spiral and Trombone Shapes
- C-UL approved
- ISO 9001:2008 certified

Notes:

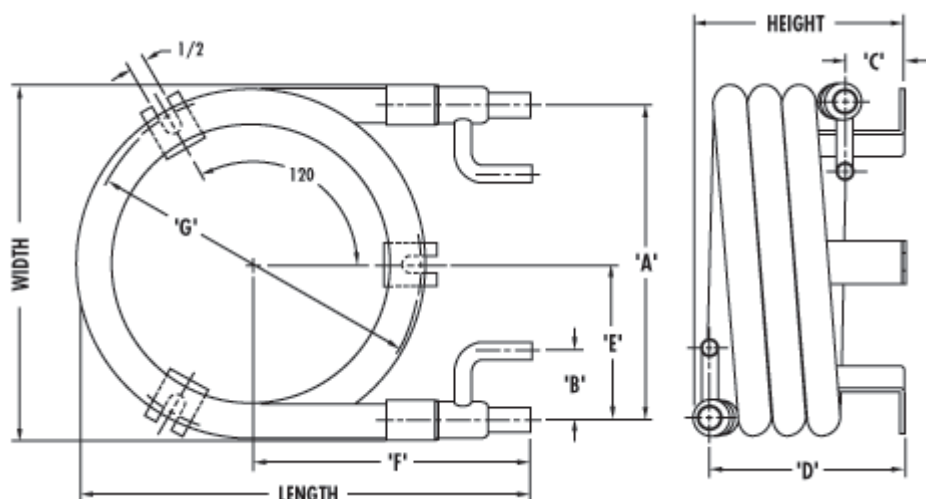
1. All dimensions are in inches.
2. Due to a continuous program of product improvement, specification and dimensions are subject to change without notice.



[+] Enlarge

Downloads

Performance Data & Selection Procedure



Specifications

Product #	COAX-2076-H
Length	9-15/16
Height	6
Width	6-5/8
Nominal Ton	3/4
Outer Shell	Steel
Inner Tube	Copper
Mounting Bracket	Yes
Refrigerant Connection In/Out (I.D.)	3/8
Water Connection In/Out (O.D.)	1/2
A	5-5/8
B	1-5/8
C	1-3/4

D	5-1/2
E	2-13/16
F	6-11/16
G	6-5/8

Options

-- None --

Accessories

-- None --