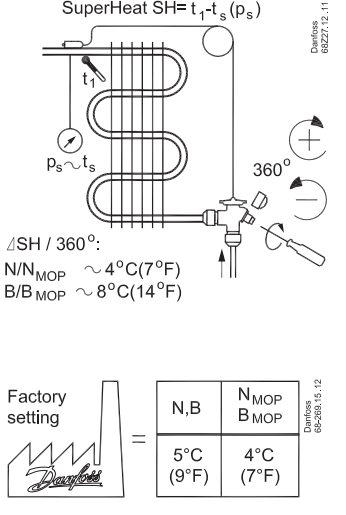
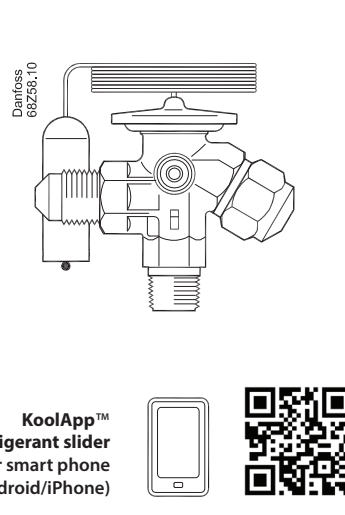
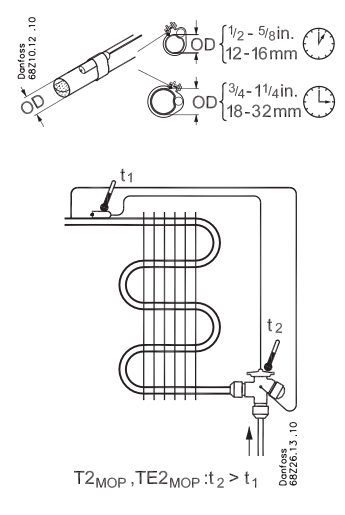
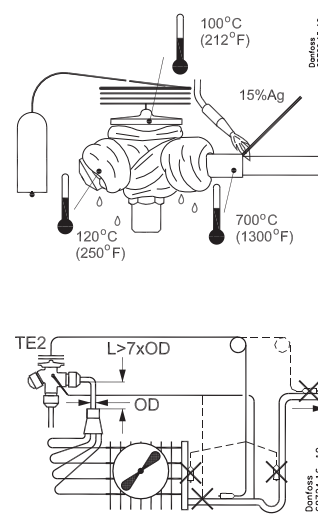
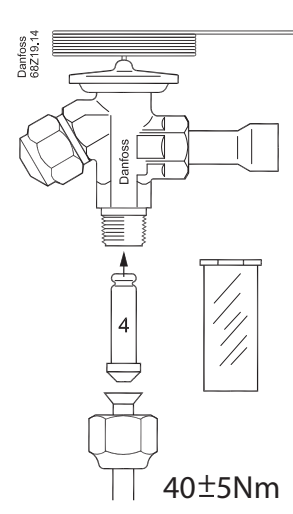
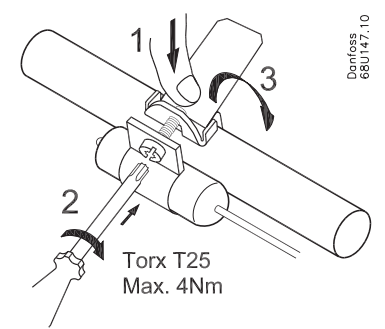


993B1022  
DKRCC.PI.AA0.C4.00



ECM Nr. 500000078352  
2014.06.04 sw

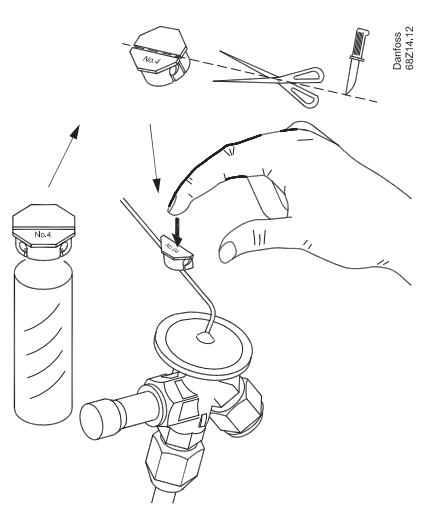
# INSTRUCTIONS



Range N: -40 to +50 °F

Orifice no.	Rated capacity in tons (TR)						
	R134a	R404A	R407C	R22	R236fa	R407F	R407A
0X	0.19	0.18	0.26	0.25	0.09	0.28	0.25
00	0.34	0.37	0.51	0.51	0.11	0.56	0.49
01	0.59	0.75	1.00	1.00	0.16	1.10	1.0
02	0.73	1.00	1.40	1.30	0.18	1.50	1.3
03	1.20	1.80	2.30	2.30	0.30	2.60	2.3
04	1.80	2.80	3.50	3.40	0.43	4.10	3.5
05	2.40	3.70	4.70	4.80	0.57	5.40	4.6
06	2.90	4.40	5.60	5.60	0.69	6.50	5.6

T. evap.: 40 °F / T. cond.: 100 °F / T. liquid: 98 °F



Range N: -40 to +50 °F

Orifice no.	Rated capacity in tons (kW)						
	R134a	R404A	R407C	R22	R236fa	R407F	R407A
0X	0.68	0.64	0.92	0.90	0.32	1.00	0.88
00	1.20	1.30	1.80	1.80	0.39	2.00	1.7
01	2.10	2.60	3.50	3.50	0.55	3.90	3.4
02	2.60	3.70	4.80	4.70	0.62	5.40	4.7
03	4.30	6.30	8.10	8.00	1.00	9.20	8.0
04	6.40	9.90	12.40	12.10	1.50	14.30	12.4
05	8.40	13.00	16.50	16.70	2.00	19.00	16.3
06	10.10	15.50	19.70	19.70	2.40	22.90	19.6

T. evap.: 4.4 °F / T. cond.: 38 °F / T. liquid: 37 °F