

Thermostats, type KP

Contents

	Page
Introduction	3
Features	3
Approvals	3
Regulating range	4
Technical data	4
Contact system	5
Ordering	5-6
Design/ Function	7-8
Terminology	8
Setting	9
Charges	9
Dimensions and weight	10

Introduction

KP thermostats are single-pole, double-throw (SPDT) temperature-operated electric switches. A KP thermostat can be connected directly to a single-phase alternating current motor of up to approx. 2 kW or installed in the control circuit of direct current motors and large alternating current motors.

KP thermostats are used for regulation, but can also be seen in safety monitoring systems. It is here that the electronic mechanism shows its superiority.

KP thermostats are available with vapour charge or with adsorption charge.

With vapour charge the differential is very small. KP thermostats with adsorption charge are widely used to give frost protection.



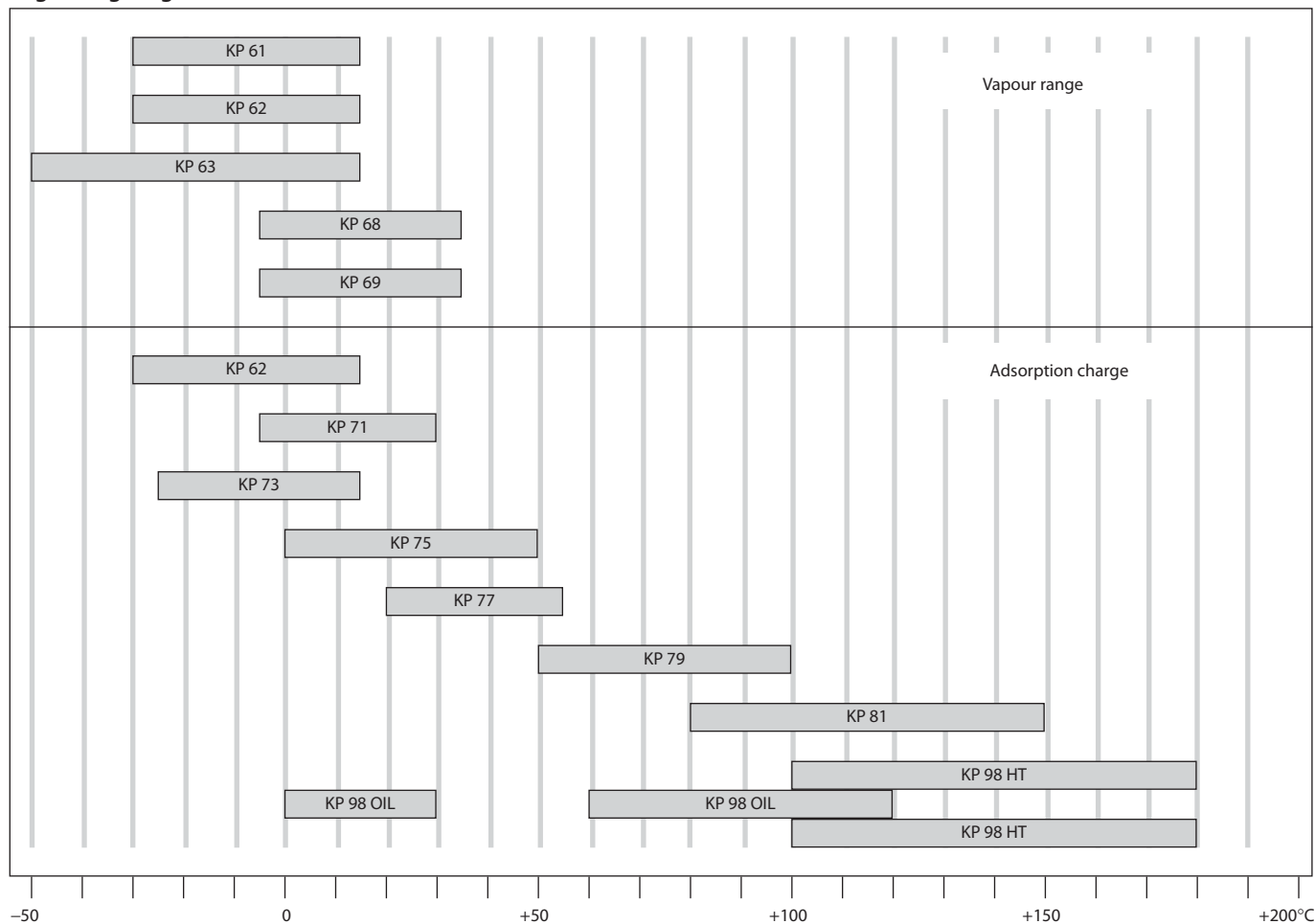
Features

- Wide regulating range
- Can be used for deep freeze, refrigeration and air conditioning plant
- Welded bellows elements mean increased reliability
- Small dimensions
Easy to install in refrigerated counters or cold rooms.
- Ultra-short bounce times
This gives long operating life, reduces wear to a minimum and increases reliability.
- Standard versions with changeover switch
Possible to obtain opposite contact function or to connect a signal.
- Electrical connection at the front of the unit
Facilitates rack mounting.
Saves space.
- Suitable for alternating and direct current
- Cable entry of soft thermoplastic for cables from 6 to 14 mm diameter.
- Extensive and wide range

Approvals

- | | |
|--|---|
| CE-marked in accordance with EN 60947-4/-5 for sale in Europe. | BV, Bureau Veritas, France |
| GL, Germanischer Lloyd, Germany | LR, Lloyd's Register, UK |
| DNV, Det Norske Veritas, Norway | RMRS, Russian Maritime Register of Shipping, Russia |
| UL approval for USA and Canada | CCC, China Compulsory Certificate |
| RINA, Registro Italiano Navale, Italy | Note: Marine Approvals do not cover KP98 dual thermostat |

Regulating range



Technical data

Ambient temperature
-40 → +65°C (+80°C for max. 2 hours).

Switch
Single-pole, double-throw (SPDT) changeover switch.

Contact load
Alternating current:
AC1: 16 A, 400 V
AC3: 16 A, 400 V
AC15: 10 A, 400 V
Max. starting current (L.R.): 112 A, 400 V
Direct current:
DC13: 12 W, 220 V control current

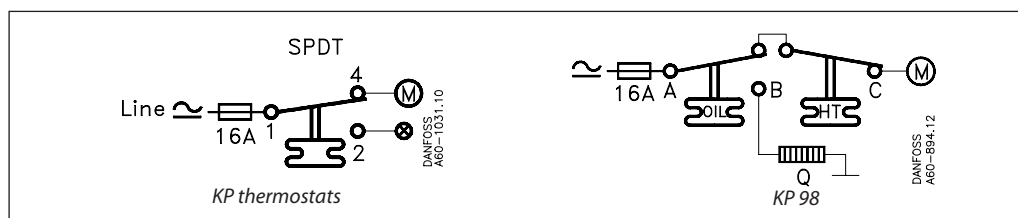
Cable connection
Cable entry for cables 6 → 14 mm dia.
A Pg 13.5 screwed cable entry can be used for 6 → 14 mm dia. cables.
With 8 → 16 mm cables a standard Pg 16 screwed cable entry can be used.

Enclosure
IP 30 to EN 60529 / IEC 529
This grade of enclosure is obtained when the unit is mounted on a flat surface or bracket.
The bracket must be fixed so that all unused holes are covered.

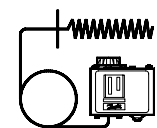
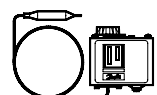
Properties according to EN 60947:

Wire dimensions solid/stranded	
flexible, w/out ferrules	0.75 - 2.5 mm ²
flexible, with ferrules	0.7 - 2.5 mm ²
flexible, with ferrules	0.5 - 1.5 mm ²
Tightning torque	max. 2 NM
Rated impulse voltage	4 kV
Pollution degree	3
Short circuit protection, fuse	10 Amp
Insulation	400 V
IP	30/44

Contact systems



Ordering



Charge	Type	Bulb type	Setting - range °C	Differential Δt		Reset	Max. bulb temp. °C	Capillary-tube length m	Code no.
				Lowest temperature °C	Highest temperature °C				
Vapour ¹⁾	KP 61	A	-30 → 15	5.5 → 23	1.5 → 7	aut.	120	2	060L110066
	KP 61	A	-30 → 15	5.5 → 23	1.5 → 7	aut.	120	5	060L110166
	KP 61	B	-30 → 13	4.5 → 23	1.2 → 7	aut.	120	2	060L110266
	KP 61	B	-30 → 15	5.5 → 23	1.5 → 7	aut.	120	2	060L110366 ³⁾
	KP 61	B	-30 → 15	5.5 → 23	1.5 → 7	aut.	120	2	060L112866 ^{3) 4)}
	KP 61	A	-30 → 15	Fixed 6	Fixed 2	min.	120	5	060L110466
	KP 61	B	-30 → 15	Fixed 6	Fixed 2	min.	120	2	060L110566
	KP 62	C1	-30 → 15	6.0 → 23	1.5 → 7	aut.	120		060L110666
	KP 63	A	-50 → -10	10.0 → 70	2.7 → 8	aut.	120	2	060L110766
	KP 63	B	-50 → -10	10.0 → 70	2.7 → 8	aut.	120	2	060L110866
	KP 68	C1	-5 → 35	4.5 → 25	1.8 → 7	aut.	120		060L111166
	KP 69	B	-5 → 35	4.5 → 25	1.8 → 7	aut.	120	2	060L111266
Adsorption ²⁾	KP 62	C2	-30 → 15	5.0 → 20	2.0 → 8	aut.	80		060L111066 ^{3) 4)}
	KP 71	E2	-5 → 20	3.0 → 10	2.2 → 9	aut.	80	2	060L111366
	KP 71	E2	-5 → 20	Fixed 3	Fixed 3	min.	80	2	060L111566
	KP 73	E1	-25 → 15	12.0 → 70	8.0 → 25	aut.	80	2	060L111766
	KP 73	D1	-25 → 15	4.0 → 10	3.5 → 9	aut.	80	2	060L111866 ³⁾
	KP 73	D1	-25 → 15	Fixed 3.5	Fixed 3.5	min.	80	2	060L113866
	KP 73	D2	-20 → 15	4.0 → 15	2.0 → 13	aut.	55	3	060L114066
	KP 73	D1	-25 → 15	3.5 → 20	3.25 → 18	aut.	80	2	060L114366
	KP 75	F	0 → 35	3.5 → 16	2.5 → 12	aut.	110	2	060L112066
	KP 75	E2	0 → 35	3.5 → 16	2.5 → 12	aut.	110	2	060L113766
	KP 77	E3	20 → 60	3.5 → 10	3.5 → 10	aut.	130	2	060L112166
	KP 77	E3	20 → 60	3.5 → 10	3.5 → 10	aut.	130	3	060L112266
	KP 77	E2	20 → 60	3.5 → 10	3.5 → 10	aut.	130	5	060L116866
	KP 79	E3	50 → 100	5.0 → 15	5.0 → 15	aut.	150	2	060L112666
	KP 81	E3	80 → 150	7.0 → 20	7.0 → 20	aut.	200	2	060L112566
KP 81	E3	80 → 150	Fixed 8	Fixed 8	max.	200	2	060L115566	
KP 98	E2	OIL: 60 → 120	OIL: Fixed 14	OIL: Fixed 14	max.	150	1	060L113166	
	E2	HT: 100 → 180	HT: Fixed 25	HT: Fixed 25	max.	250	2		

¹⁾ Bulb must always be placed colder than the thermostat housing and capillary tube. The thermostat will then regulate independent of ambient temperature.

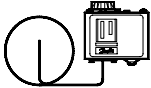


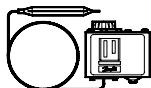
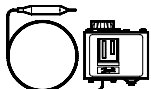
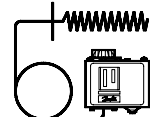
²⁾ Bulb can be placed warmer or colder than thermostat housing and capillary tube, but variations from +20°C ambient temperature will influence the scale accuracy.

³⁾ With manual switch, not isolating switch.

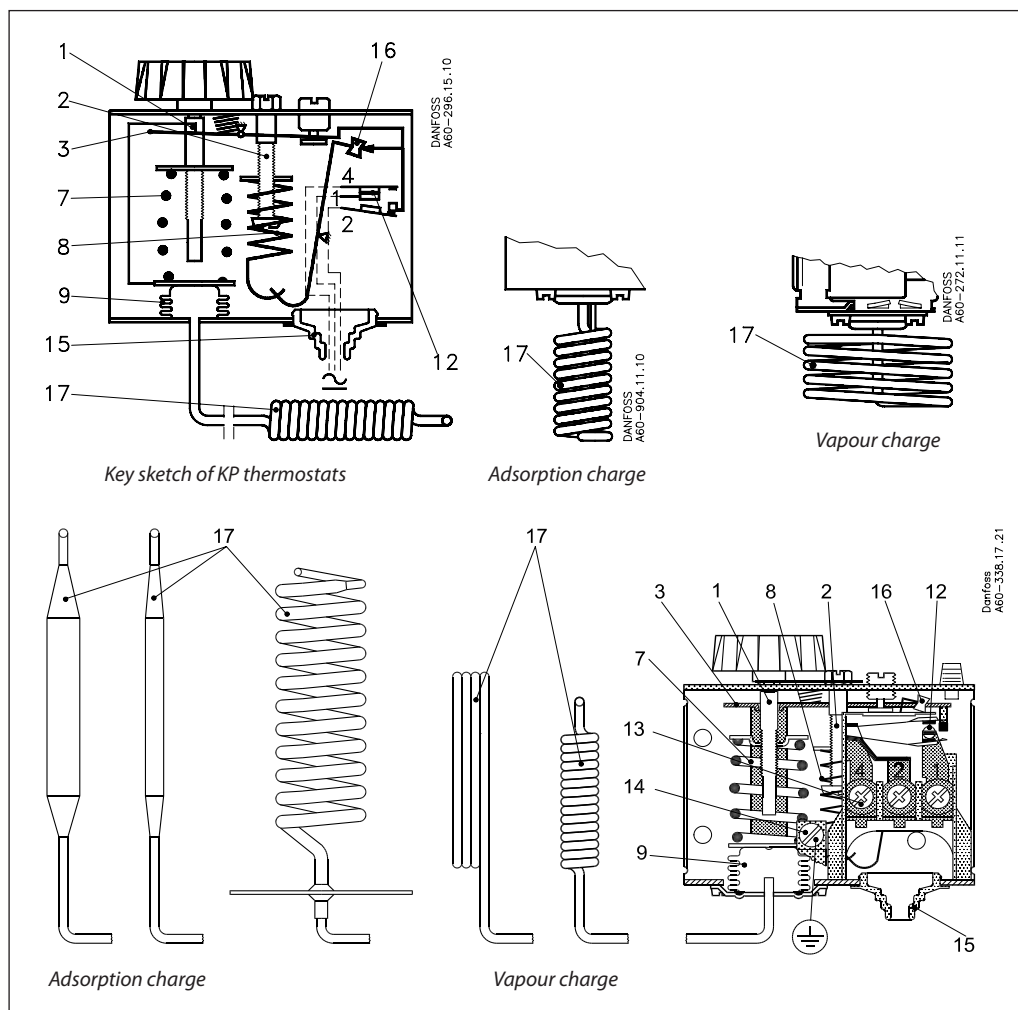
⁴⁾ Panel mounting model with top plate.

Ordering
(continued)

Thermostat bulb types

A		Straight capillary tube
B		Ø 9.5 × 70 mm remote air coil
C		C1: Ø 40 × 30 mm air coil C2: Ø 25 × 67 mm air coil (integral with thermostat)
D		D1: Ø 10 × 85 mm double contact remote bulb D2: Ø 16 × 170 mm double contact remote bulb Note! Cannot be used in sensor (bulb) pocket
E		E1: Ø 6.4 × 95 mm remote bulb E2: Ø 9.5 × 115 mm remote bulb E3: Ø 9.5 × 85 mm remote bulb
F		Ø 25 × 125 mm remote duct coil

Design Function



- 1. Temperature setting spindle
- 2. Differential setting spindle
- 3. Main arm
- 7. Main spring
- 8. Differential spring
- 9. Bellows
- 12. Switch
- 13. Terminals
- 14. Earth terminal
- 15. Cable entry
- 16. Tumbler
- 17. Sensor

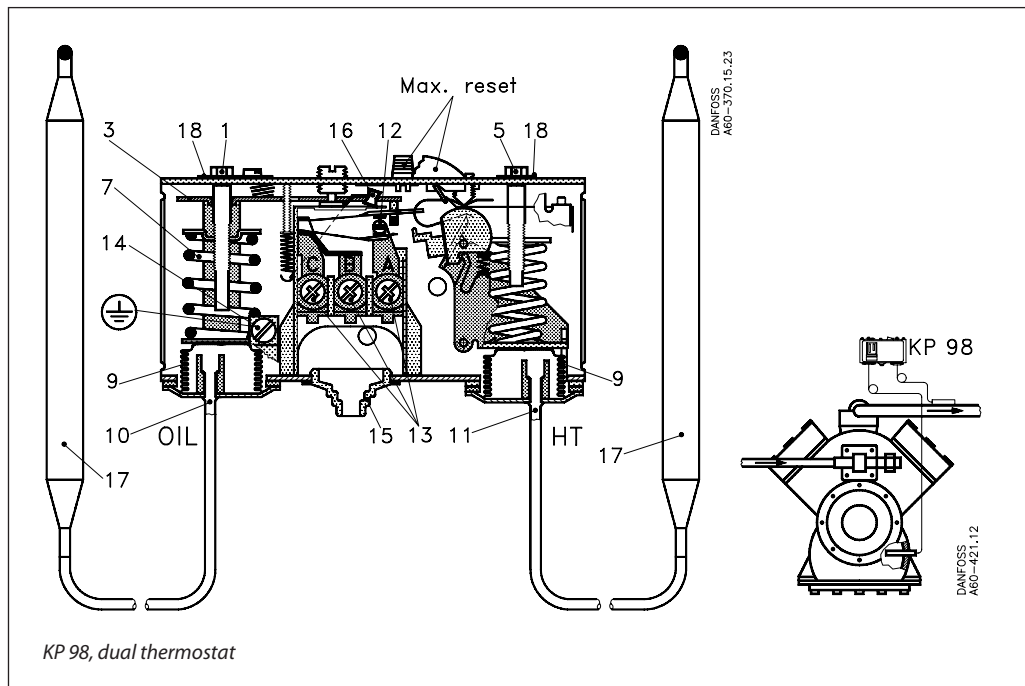
The switch in the KP has a snap-action function and the bellows move only when the cut-in or cut-out value is reached.

The design of the KP thermostat affords the following advantages:

- high contact load
- ultra-short bounce time
- vibration resistance up to 4 g in the range 0-1000 Hz
- long mechanical and electrical life.

Design Function
(continued)

- 1. Temperature setting spindle, OIL
- 3. Main arm
- 5. Temperature setting spindle, HT
- 7. Main spring
- 9. Bellows
- 10. Capillary tube, OIL
- 11. Capillary tube, HT
- 12. Switch
- 13. Terminals
- 14. Earth terminal
- 15. Cable entry
- 16. Tumbler
- 17. Sensor (bulb)
- 18. Locking plate



Dual thermostat KP 98 is used to provide protection against excessively high discharge gas temperature and to ensure a suitable oil temperature in the compressor. To avoid the temperature of the hot gas exceeding the maximum permissible value during extreme operating conditions (low evaporating pressure, high condensing pressure, high suction vapour superheat) a KP 98 thermostat can be used on the high temperature side (HT). If the temperature of the hot gas becomes too high the refrigerant will break down and the compressor discharge valve will become damaged.

The risk is greatest in refrigeration systems that operate on a high compression ratio (e.g. in systems with NH₃ or R22) and in applications with hot gas bypass. This unit has two separate thermostat functions. The HT sensor that controls the discharge gas temperature is fitted on the discharge tube immediately after the compressor. For larger compressors, the sensor can be built into the discharge line. The OIL sensor that controls the oil temperature is located in the compressor oil sump.

Terminology

Differential

The differential is the difference between the make and break temperatures. A differential is necessary for satisfactory automatic operation of the plant.

Mechanical differential (intrinsic differential)

The mechanical differential is the differential set by the differential spindle.

Operating differential (thermal differential)

The operating differential is the differential the plant operates on. Operating differential is the sum of the mechanical differential and the differential produced by the time constant.

Reset

1. Manual reset:
Units with manual reset can only be restarted after the reset button has been activated. On min. reset units the set value is equal to the cut-out value for falling temperature. On max. reset units the set value is equal to the cut-out value for rising temperature.
2. Automatic reset:
These units are automatically reset after operational stop.

Setting

Thermostats with automatic reset

Set the upper activating temperature on the range scale.

Set the differential on the "DIFF" scale.

The temperature setting on the range scale will then correspond to the temperature at which the refrigeration compressor will be started on rising temperature. The compressor will be stopped when the temperature has fallen in relation to the differential setting.

Note that the differential depends on the range setting. Therefore, the differential scale must only be used as guideline.

If with low stop temperature settings the compressor will not stop, check whether the differential is set at too high a value!

Thermostats with minimum reset

Set the stop temperature on the range scale.

The differential is a fixed setting.

The compressor can be restarted by pressing the "Reset button" after the temperature on the thermostat sensor has risen by a value equal to the fixed differential setting.

Thermostats with maximum reset

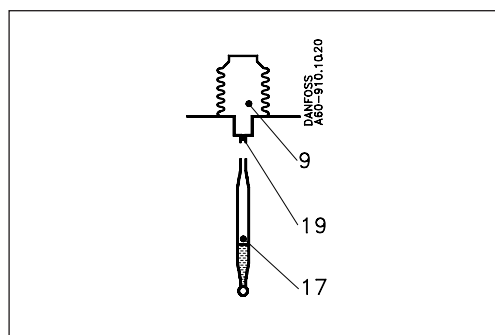
Set the stop temperature on the range scale.

The differential is a fixed setting.

The compressor can be restarted by pressing the "Reset button" after the temperature on the thermostat sensor has fallen to a value equal to the fixed differential setting.

Charges

1. Vapour charge



- 9. Bellows element
- 17. Sensor (bulb)
- 19. Capillary tube

Here the interdependence between the pressure and temperature of saturated vapour is utilized, i.e. the element is charged with saturated vapour plus a small amount of liquid.

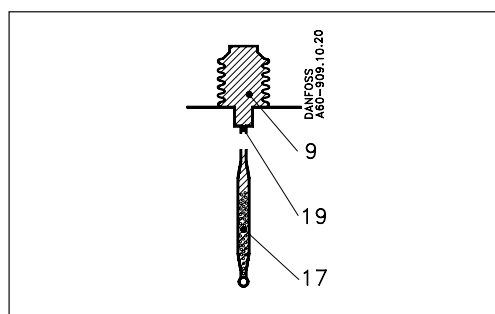
The charge is pressure-limited; a further increase in pressure after evaporation of all the liquid in the sensor (17) will only result in a small pressure increase in the element.

This principle can be utilized in thermostats for low temperature, etc. where evaporation must be able to take place from the free liquid surface in the sensor (within the operating range of the thermostat), and where at the same time, the bellows must be protected against deformation when kept at normal ambient temperatures. Since the pressure in the element depends on the temperature at the free liquid surface, the thermostat must always be placed so that the sensor is colder than the rest of the thermostatic element.

The evaporated liquid will recondense at the coldest point, i.e. the sensor. Thus, as intended, the sensor becomes the temperature-controlling part of the system.

Note: When the sensor is coldest, the ambient temperature has no effect on regulating accuracy.

2. Adsorption charge



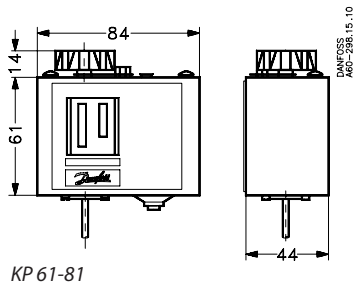
- 9. Bellows element
- 17. Sensor (bulb)
- 19. Capillary tube

In this case the charge consists partly of a superheated gas and partly of a solid having a large adsorption surface.

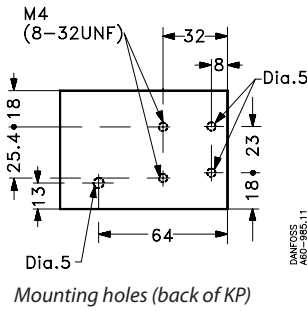
The solid is concentrated in the sensor (17) and it is therefore always the sensor that is the temperature-controlling part of the thermostatic element.

The sensor can be placed warmer or colder than thermostat housing and capillary tube, but variations from +20°C ambient temperature will influence the scale accuracy.

Dimensions and weights

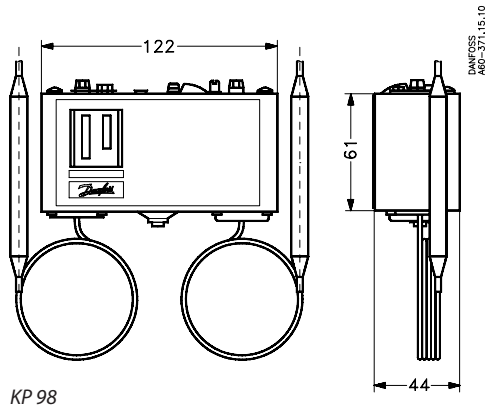


KP 61-81

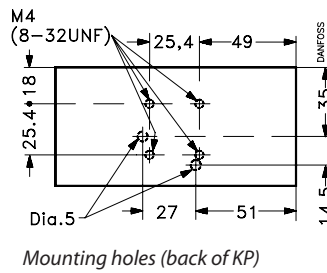


Mounting holes (back of KP)

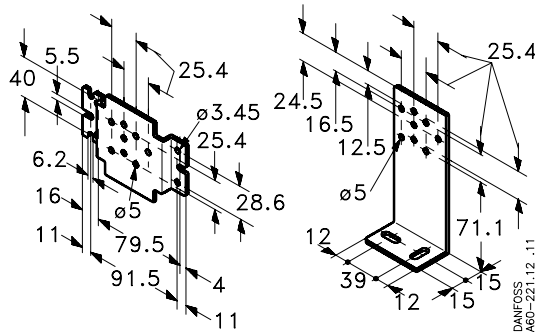
Weight
 KP 61-81: approx. 0.4 kg
 KP 98: approx. 0.6 kg



KP 98

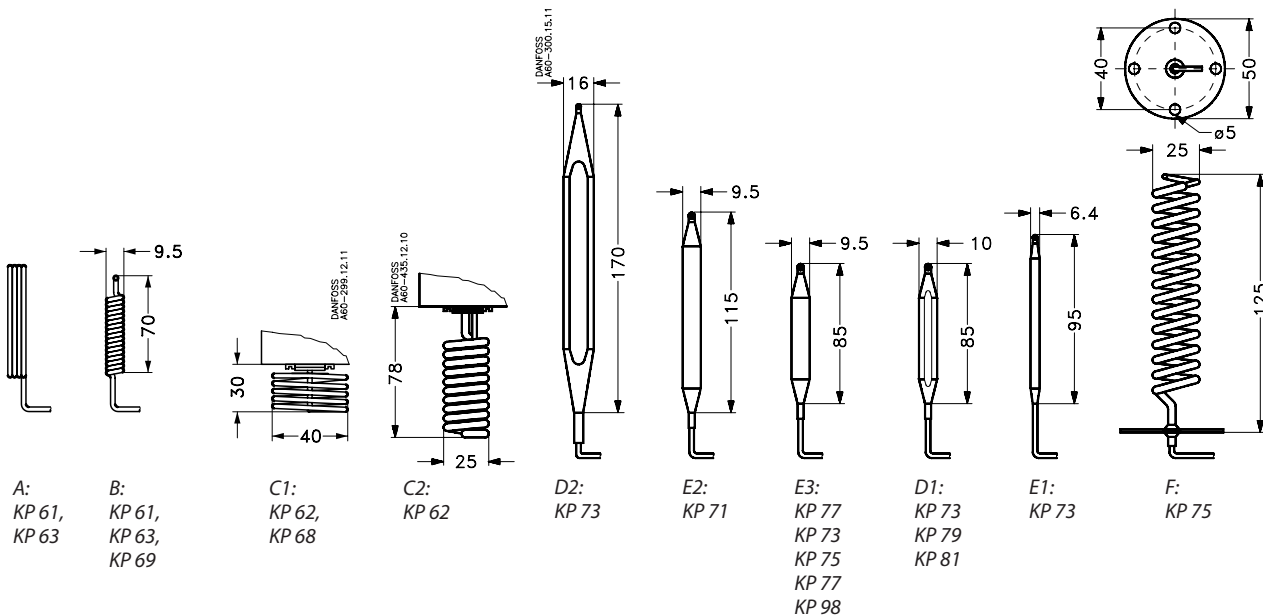


Mounting holes (back of KP)



Wall bracket

Angle bracket



A:
KP 61,
KP 63

B:
KP 61,
KP 69

C1:
KP 62,
KP 68

C2:
KP 62

D2:
KP 73

E2:
KP 71

E3:
KP 77
KP 73
KP 75
KP 77
KP 98

D1:
KP 73
KP 79
KP 81

E1:
KP 73

F:
KP 75

