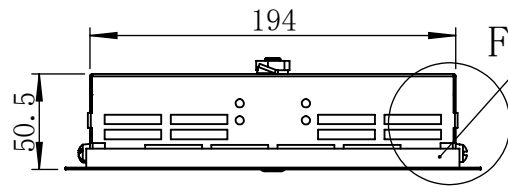
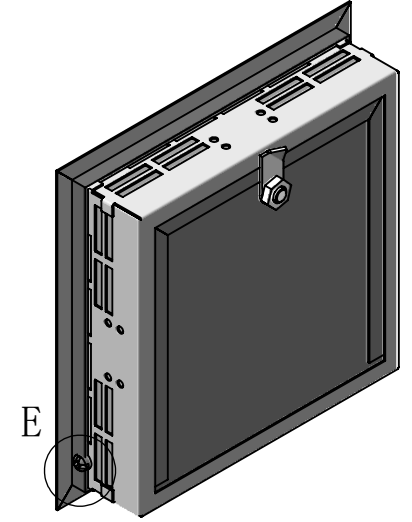
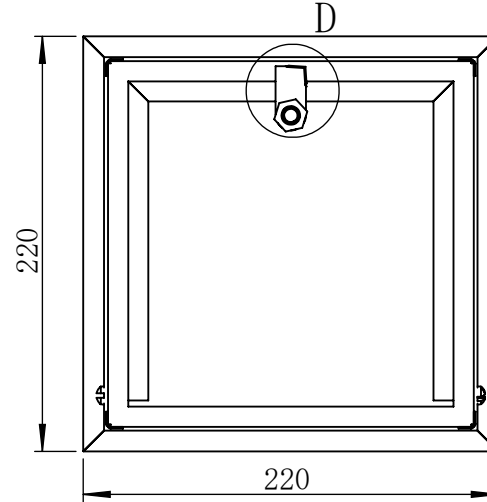
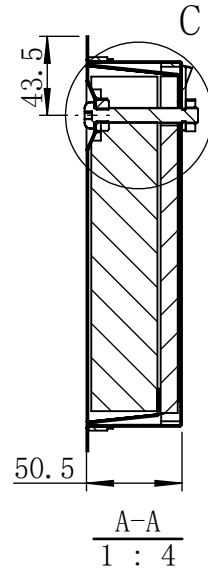
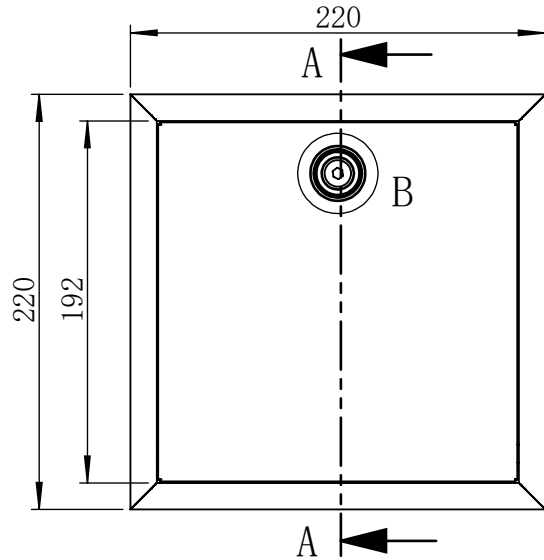


Liite 1

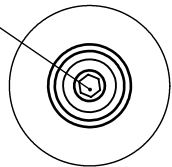
VTT-RTH-00019-16 laajennus 5.5.2017

1/33



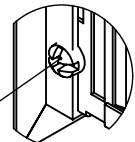
Marvon black fire seal

Regular lock

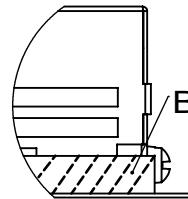


$\frac{B}{1:2}$

M5*10 Screw



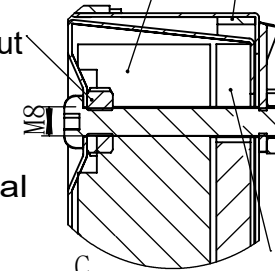
$\frac{E}{1:2}$



$\frac{F}{1:2}$

Black fire seal

Locknut

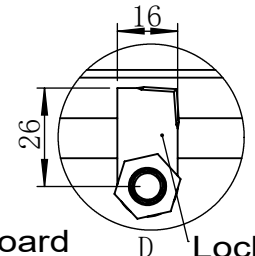


$\frac{C}{1:2}$

Fire proof Mateial:rock wool

Marvon black fire seal

Gypsumboard



$\frac{D}{1:2}$

Lock blade

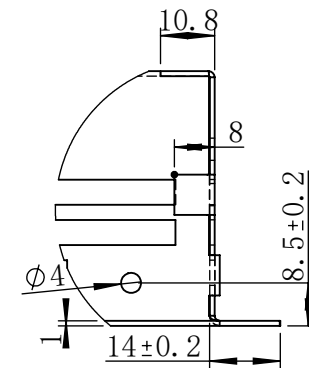
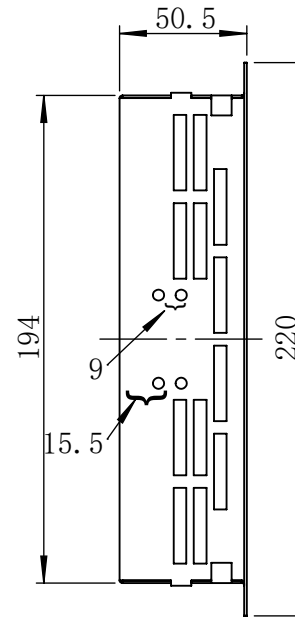
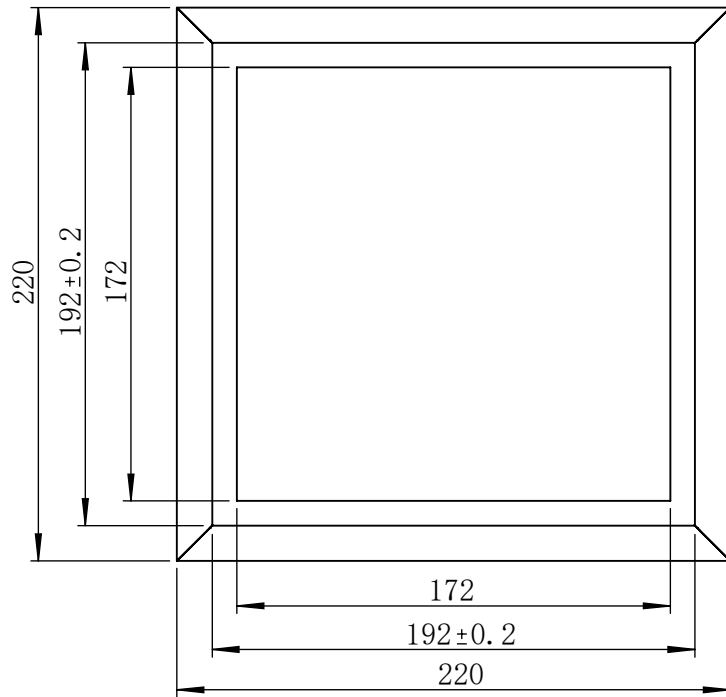
NOTE:

- 1.The material of the inner and outer frame:0.85mm galvanized steel and 0.15mm painting powder
- 2.Powder coated on both inner and outer frame,the thickness is 80-130 μm .
- 3.The strcture of the lock need to be galvanized .
- 4.No scratch on the surface , open and close easily .
- 5.The producer of black fire seal: Marvon S.r.l.
- 6.The weight of the gypsonite board : 8.3KG/M²
- 7.Thickness of the wool: Normal 40mm
- 8.material information of the wool:ROCKWOOL brand wool of 140kgs/m³ TR-S140
- 9.thickness of the board:9.5mm HC 2400X1200X9.5
- 10.material information of the board:KNAUF brand fire-rated gypsum board

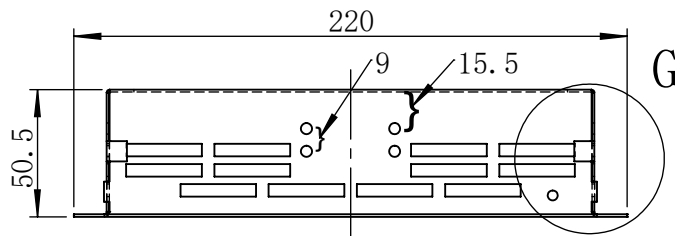


杭州顺事五金机械有限公司
HANGZHOU SHUNSHI HARDWARE AND MACHINERY CO.,LTD

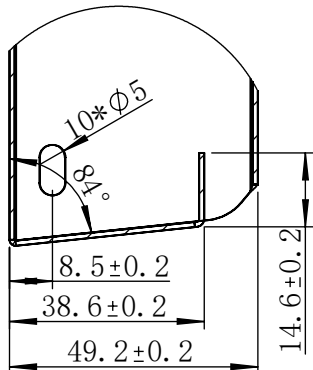
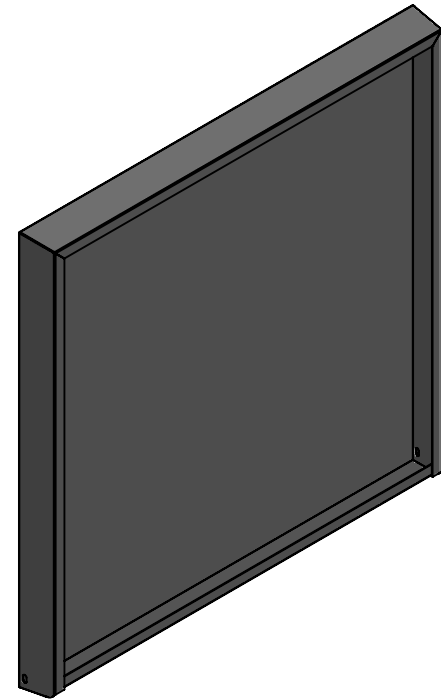
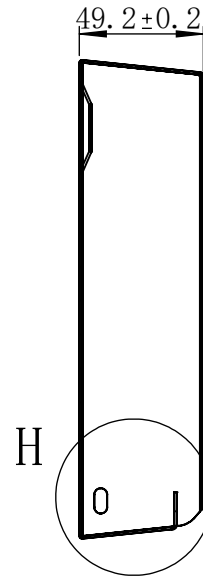
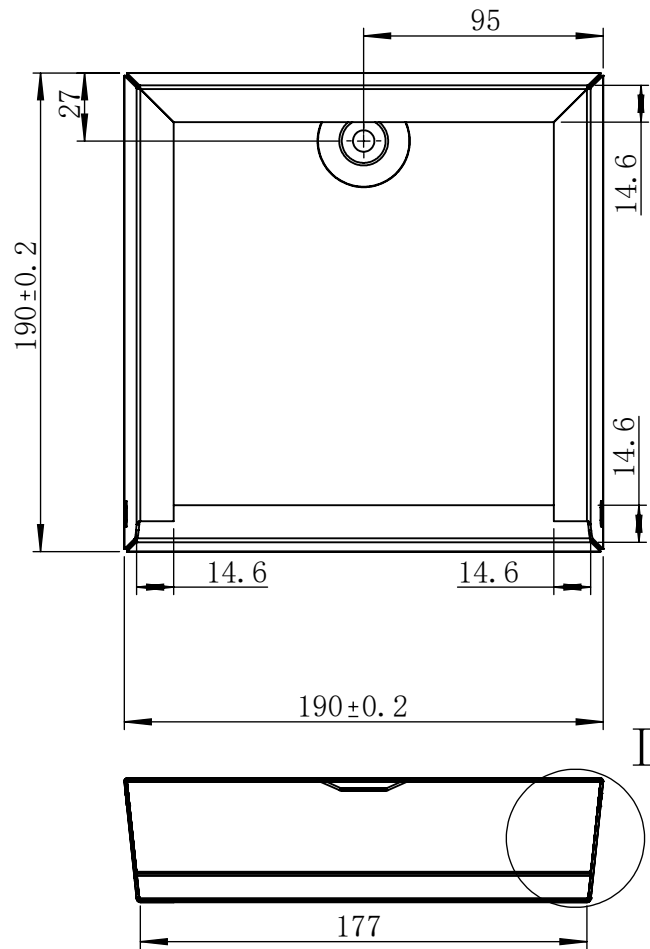
设计 DRAWER	HUANGQIANG	Fire rated access panel		
审核 AUDITOR	ZHOULIHUA	数量 QTY	日期 DATE	Size : 200*200 (Regular lock)
批准 APPROVER	CHENXUEXIN	1	2017.4.22	
1 OF 5				SS-AP525-01



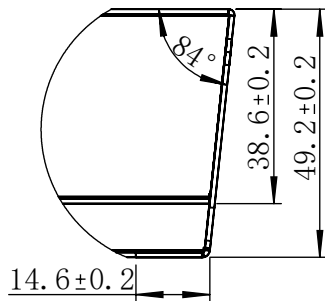
Partial view G



 杭州顺事五金机械有限公司 HANGZHOU SHUNSHI HARDWARE AND MACHINERY CO.,LTD				
设计 DRAWER	HUANGQIANG	MATERIAL:0.9MM ANTI-FINGERPRINT STEEL		
审核 AUDITOR	ZHOULIHUA	数量 QTY	日期 DATE	FRAME
批准 APPROVER	CHENXUEXIN	1	2017.4.22	
2 OF 5				SS-AP525-02

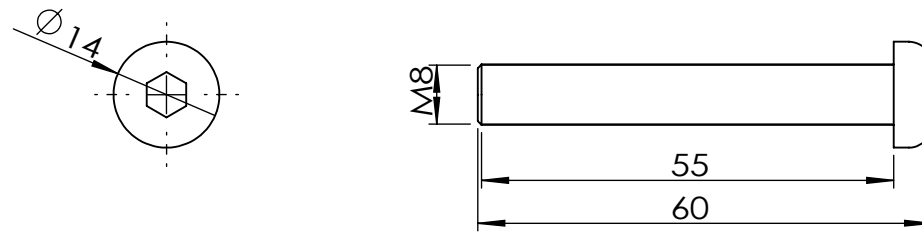


Partial view H

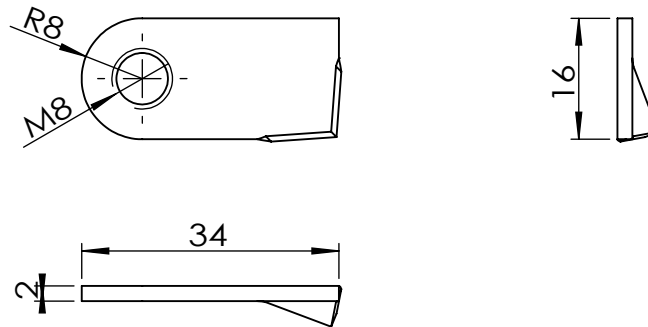


Partial view I

 杭州顺事五金机械有限公司 HANGZHOU SHUNSHI HARDWARE AND MACHINERY CO.,LTD				
设计 DRAWER	HUANGQIANG	MATERIAL:0.9MM ANTI-FINGERPRINT STEEL		
审核 AUDITOR	ZHOULIHUA	数量 QTY	日期 DATE	DOOR
批准 APPROVER	CHENXUEXIN	1	2017.4.22	
3 OF 5				SS-AP525-03

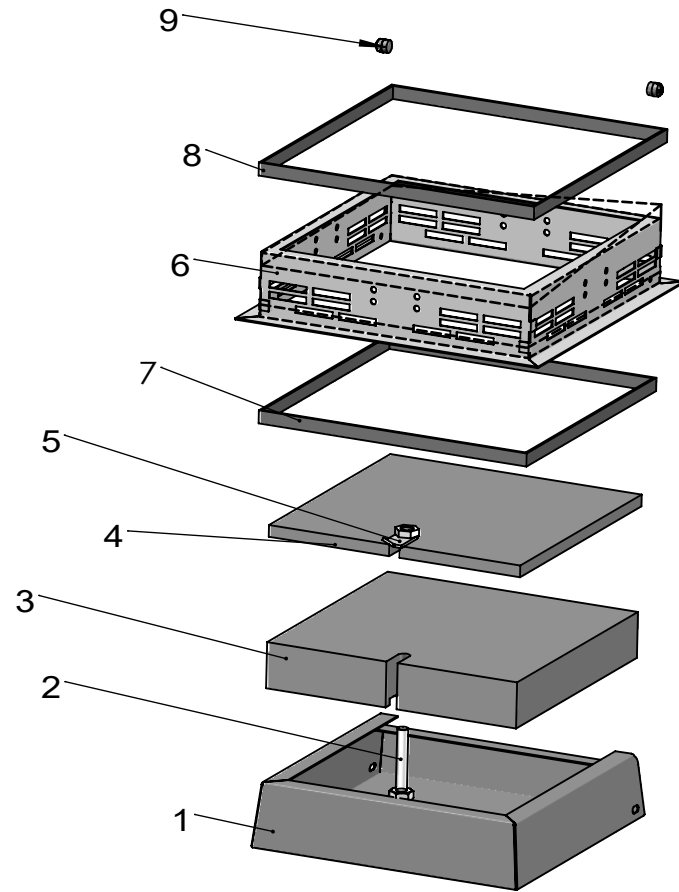


Regular lock -galvanized on the surface



Lock blade -Powder coated on the surface

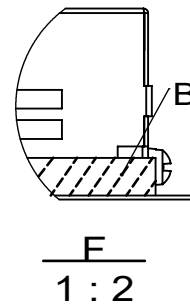
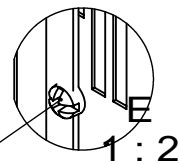
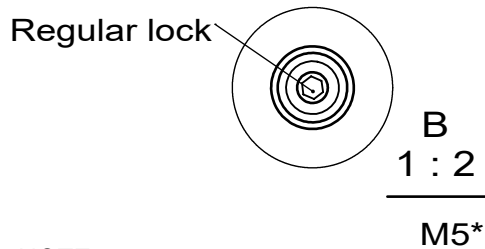
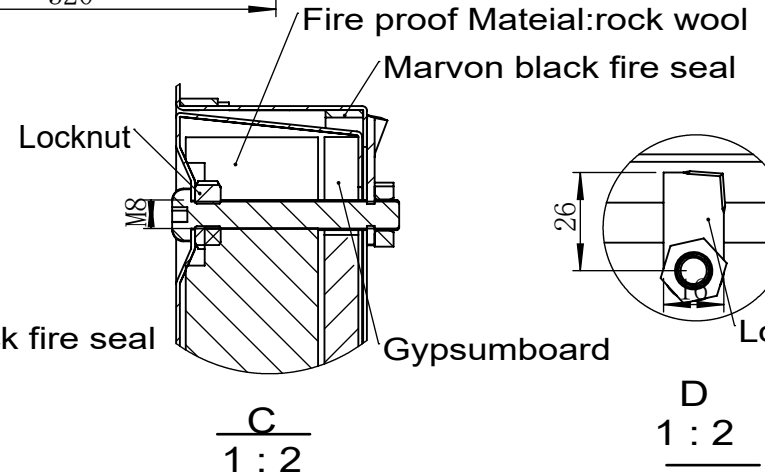
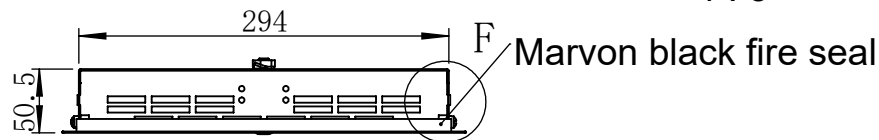
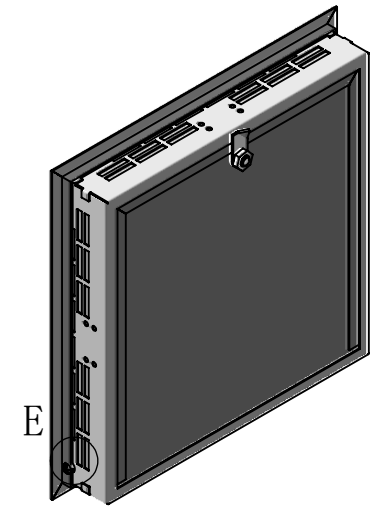
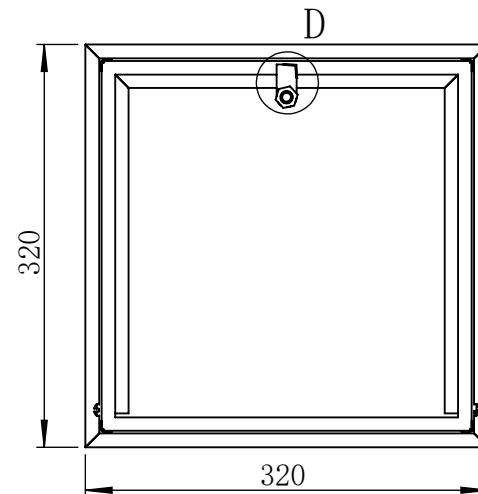
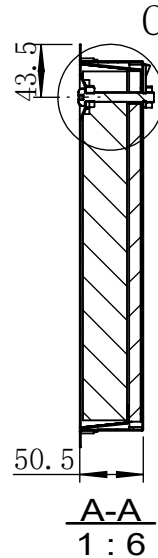
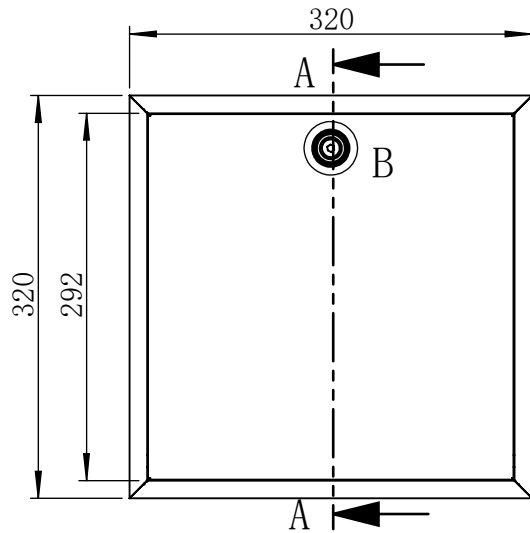
 杭州顺事五金机械有限公司 HANGZHOU SHUNSHI HARDWARE AND MACHINERY CO.,LTD			
设计 DRAWER	HUANGQIANG	Fire rated access panel-accessory	
审核 AUDITOR	ZHOULIHUA	数量 QTY	日期 DATE
批准 APPROVER	CHENXUEXIN	1	2017.4.22
4 OF 5			Size : 200*200 (Regular lock)
			SS-AP525-05



- 1-DOOR
- 2-FIXING THE NUT IN THE DOOR
- 3-FIXING FIRE WOOL IN THE DOOR
- 4-FIXING GYPSONITE IN THE FIRE WOOL
- 5-LOCK
- 6-FRAME
- 7-INSIDE BLACK SEAL
- 8-OUT BLACK SEAL
- 9-FIXING THE DOOR AND FRAME BY SCREW

INSTALLING INSTRCUTIONS: ① - ② - ③ - ④ - ⑤ - ⑥ - ⑦ - ⑧ - ⑨

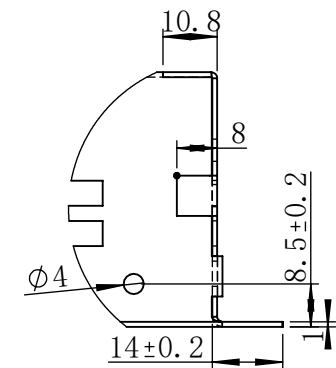
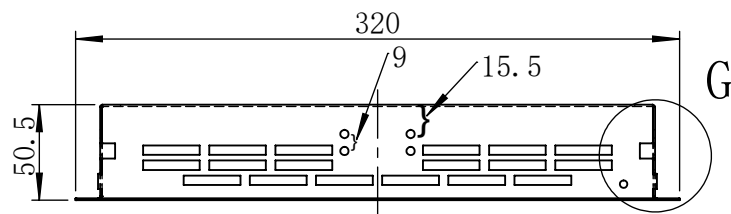
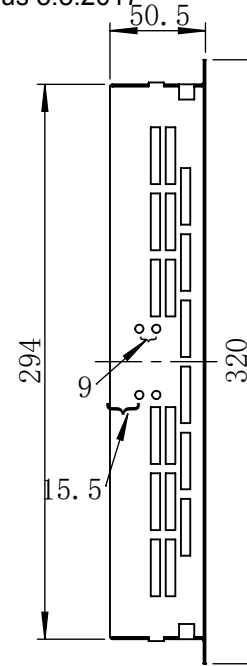
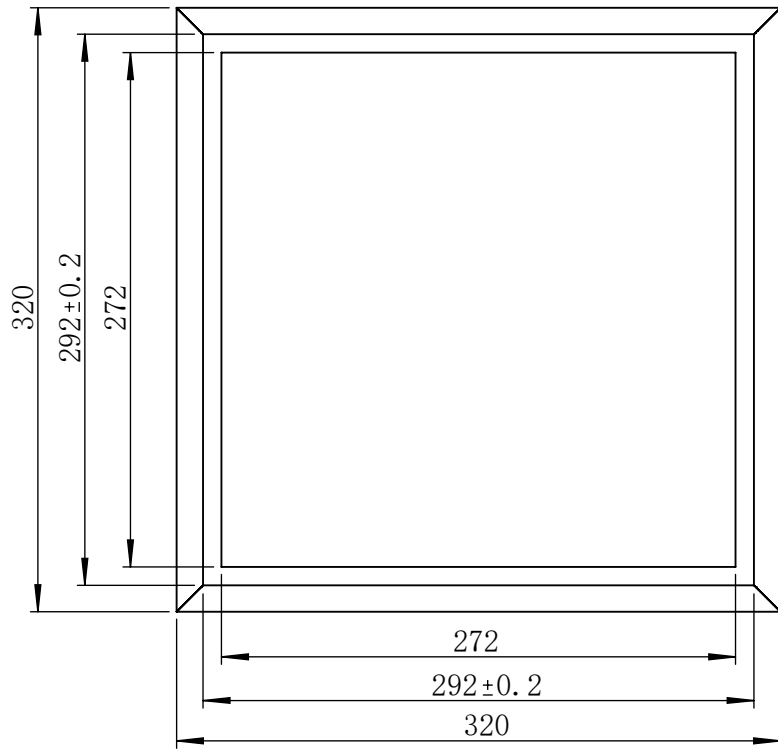
 杭州顺事五金机械有限公司 HANGZHOU SHUNSHI HARDWARE AND MACHINERY CO.,LTD			
设计 DRAWER	HUANGQIANG	Fire rated access panel-accessory	
审核 AUDITOR	ZHOULIHUA	数量 QTY	日期 DATE
批准 APPROVER	CHENXUEXIN	1	2017.4.22
6 OF 6			Size : 200*200 (Regular lock)
			SS-AP525-06



NOTE:

1. The material of the inner and outer frame:0.85mm galvanized steel and 0.15mm painting powder
2. Powder coated on both inner and outer frame,the thickness is 80-130 μm .
3. The strcture of the lock need to be galvanized .
- 4.No scratch on the surface , open and close easily .
5. The producer of black fire seal: Marvon S.r.l.
6. The weight of the gypsonite board : 8.3KG/M²
7. Thickness of the wool: Normal 40mm
8. material information of the wool:ROCKWOOL brand wool of 140kgs/m³ TR-S140
9. thickness of the board:9.5mm HC 2400X1200X9.5
10. material information of the board:KNAUF brand fire-rated gypsum board

 杭州顺事五金机械有限公司 HANGZHOU SHUNSHI HARDWARE AND MACHINERY CO.,LTD				
设计 DRAWER	HUANGQIANG	Fire rated access panel		
审核 AUDITOR	ZHOULIHUA	数量 QTY	日期 DATE	Size : 300*300 (Regular lock)
批准 APPROVER	CHENXUEXIN	1	2017.4.22	
1 OF 5				SS-AP525-01



Partial view G



杭州顺事五金机械有限公司

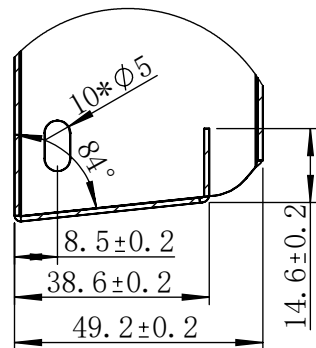
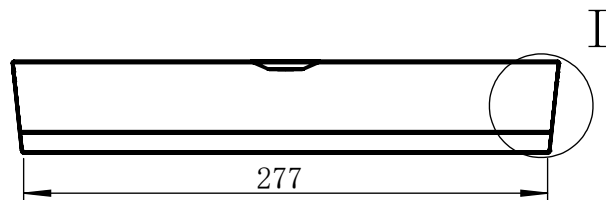
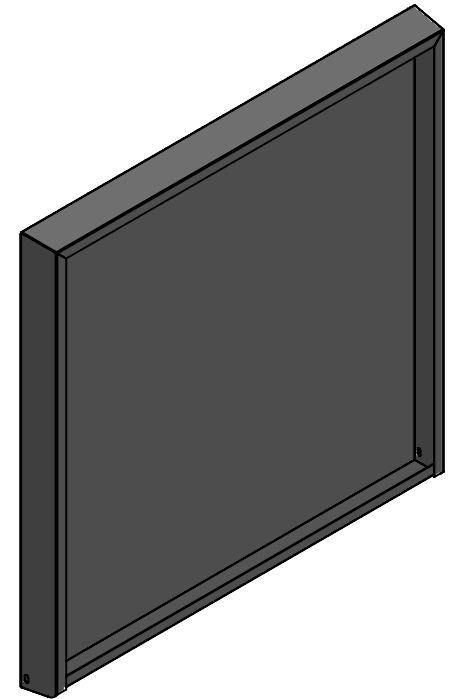
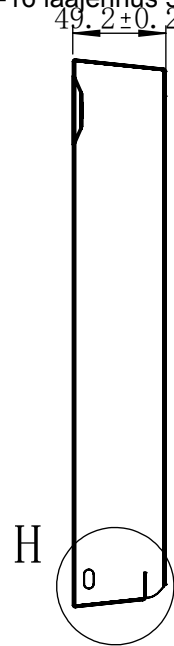
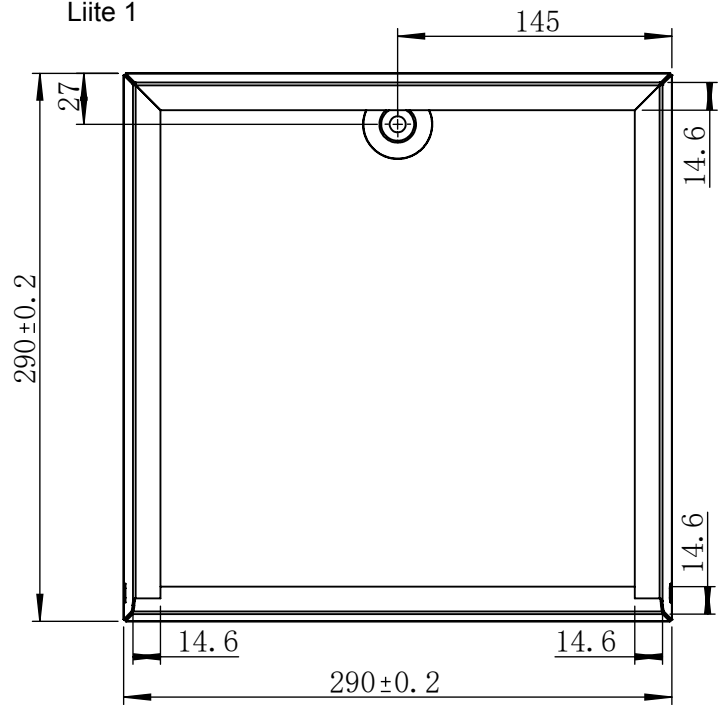
HANGZHOU SHUNSHI HARDWARE AND MACHINERY CO.,LTD

设计 DRAWER	HUANGQIANG	MATERIAL:0.9MM ANTI-FINGERPRINT STEEL		
审核 AUDITOR	ZHOULIHUA	数量 QTY	日期 DATE	FRAME
批准 APPROVER	CHENXUEXIN	1	2017.4.22	
2 OF 5				SS-AP525-02

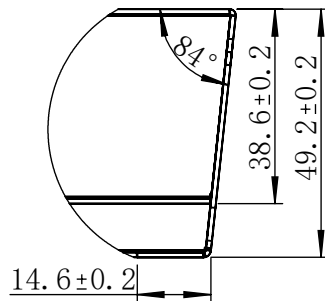
Liite 1

VTT-RTH-00019-16 laajennus 5.5.2017

8/33

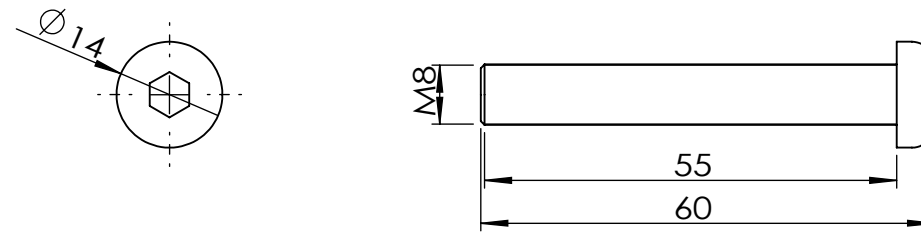


Partial view H

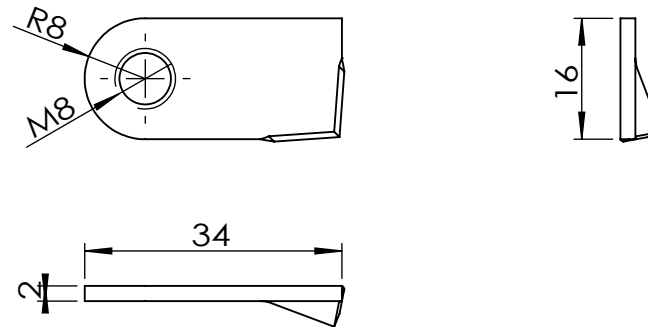


Partial view I

 杭州顺事五金机械有限公司 HANGZHOU SHUNSHI HARDWARE AND MACHINERY CO.,LTD				
设计 DRAWER	HUANGQIANG	MATERIAL:0.9MM ANTI-FINGERPRINT STEEL		
审核 AUDITOR	ZHOULIHUA	数量 QTY	日期 DATE	DOOR
批准 APPROVER	CHENXUEXIN	1	2017.4.22	
3 OF 5				SS-AP525-03

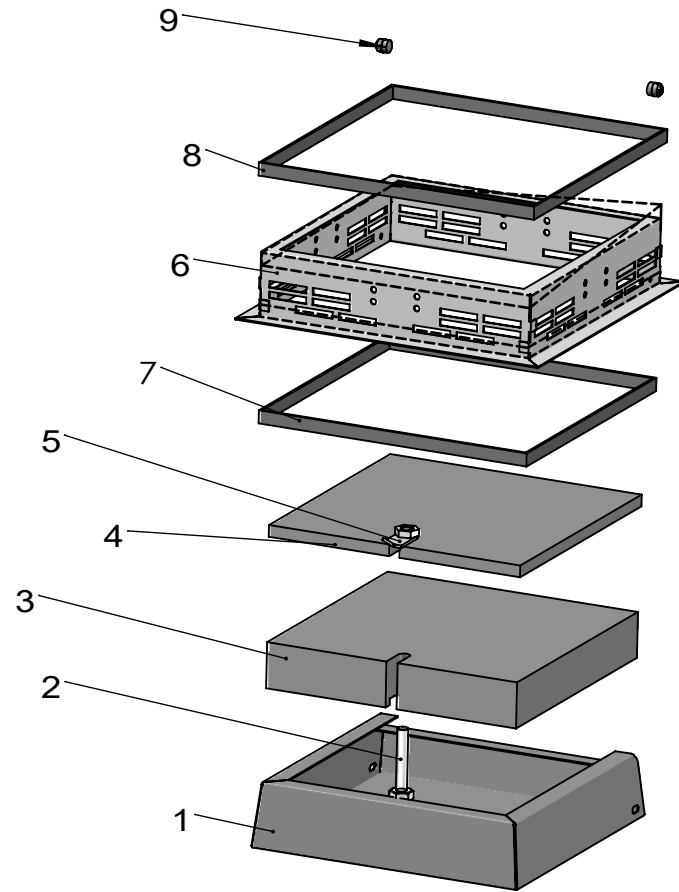


Regular lock -galvanized on the surface



Lock blade -Powder coated on the surface

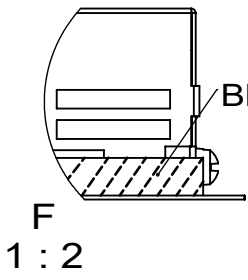
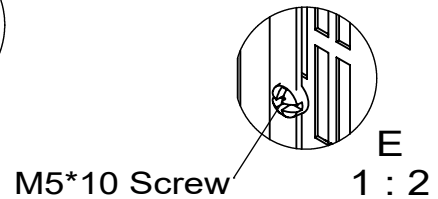
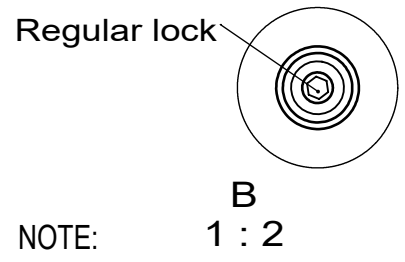
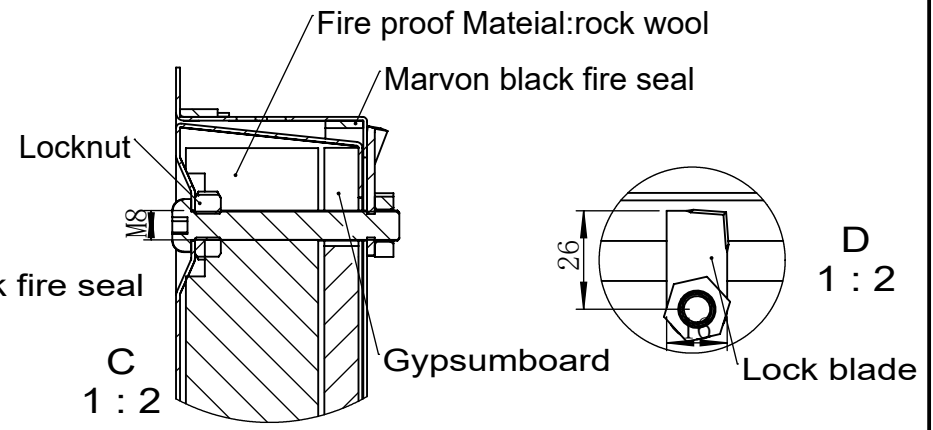
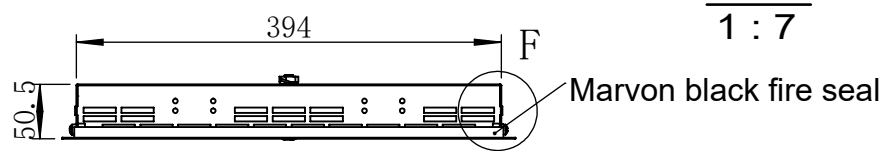
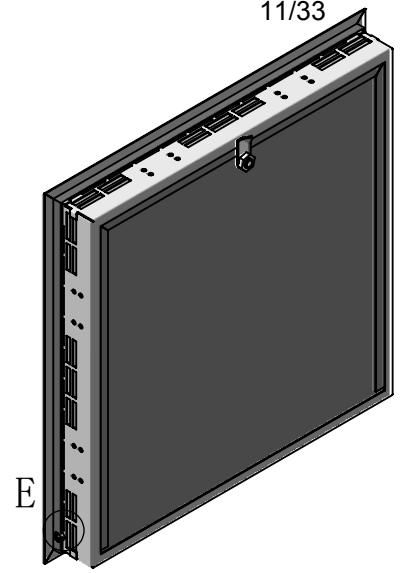
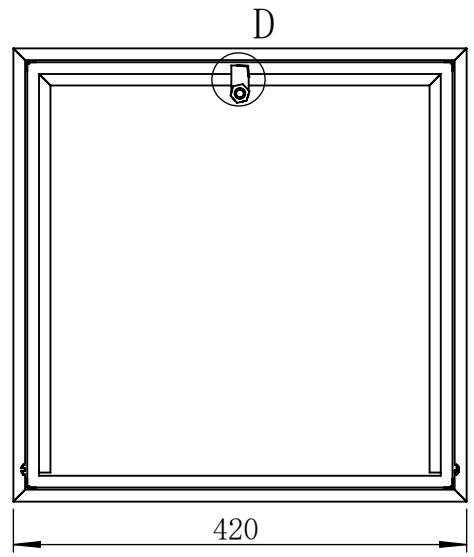
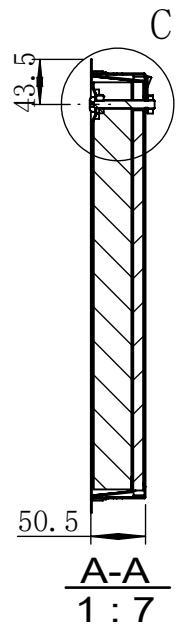
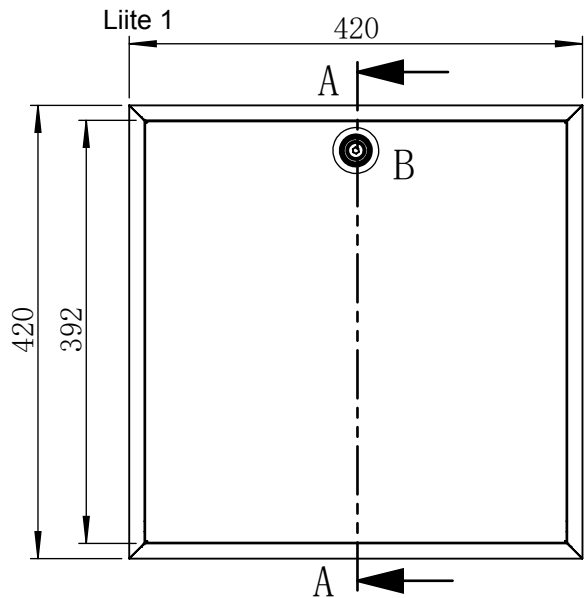
 杭州顺事五金机械有限公司 HANGZHOU SHUNSHI HARDWARE AND MACHINERY CO.,LTD			
设计 DRAWER	HUANGQIANG	Fire rated access panel-accessory	
审核 AUDITOR	ZHOULIHUA	数量 QTY	日期 DATE
批准 APPROVER	CHENXUEXIN	1	2017.4.22
4 OF 5			Size : 200*200 (Regular lock)
			SS-AP525-05



- 1-DOOR
- 2-FIXING THE NUT IN THE DOOR
- 3-FIXING FIRE WOOL IN THE DOOR
- 4-FIXING GYPSONITE IN THE FIRE WOOL
- 5-LOCK
- 6-FRAME
- 7-INSIDE BLACK SEAL
- 8-OUT BLACK SEAL
- 9-FIXING THE DOOR AND FRAME BY SCREW

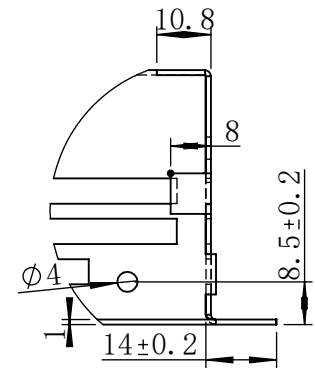
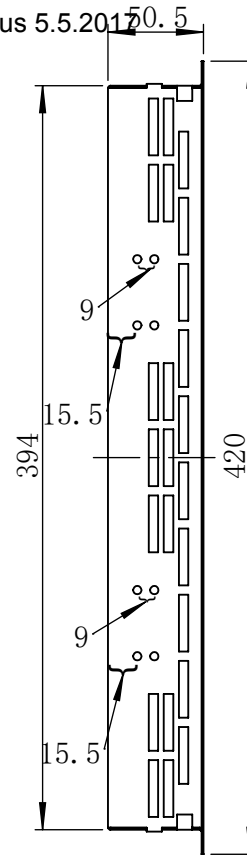
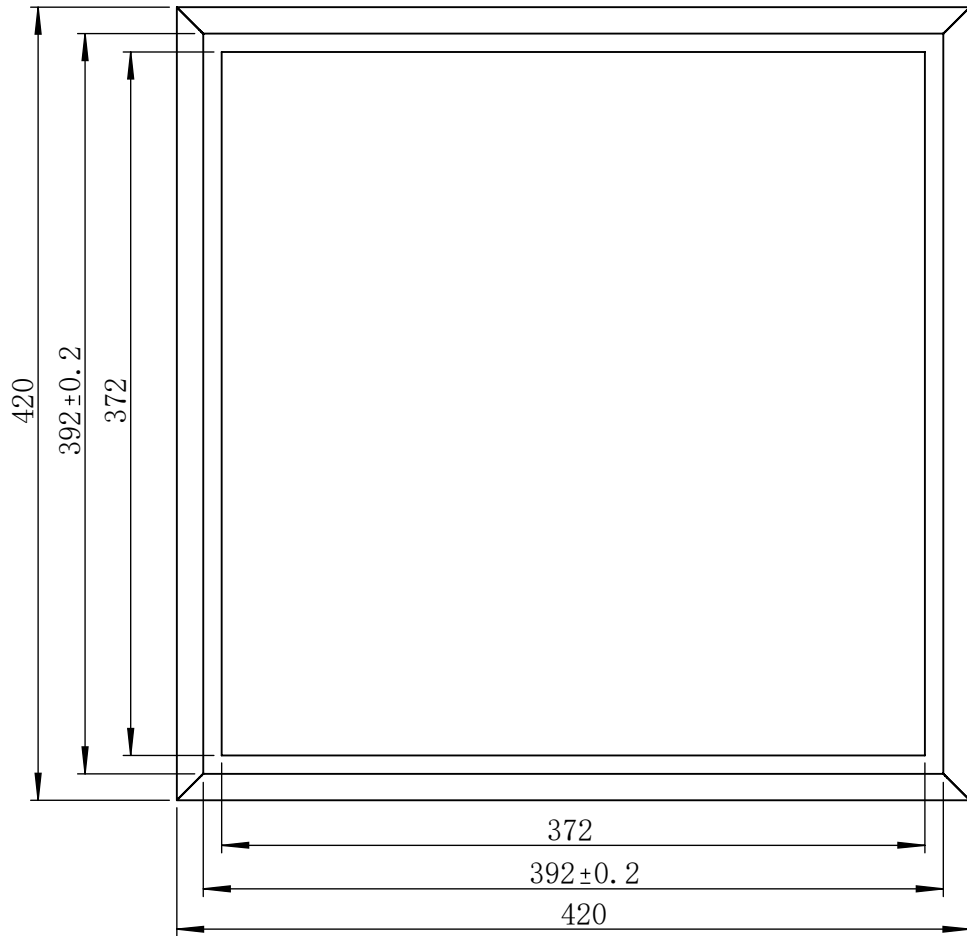
INSTALLING INSTRCTIONS: ① - ② - ③ - ④ - ⑤ - ⑥ - ⑦ - ⑧ - ⑨

 杭州顺事五金机械有限公司 HANGZHOU SHUNSHI HARDWARE AND MACHINERY CO.,LTD			
设计 DRAWER	HUANGQIANG	Fire rated access panel-accessory	
审核 AUDITOR	ZHOULIHUA	数量 QTY	日期 DATE
批准 APPROVER	CHENXUEXIN	1	2017.4.22
6 OF 6			Size : 200*200 (Regular lock)
			SS-AP525-06

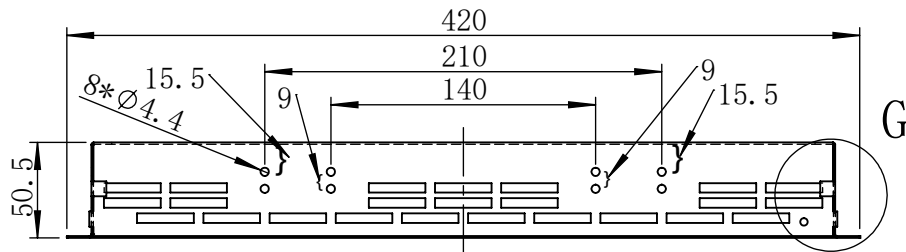


- NOTE:**
1. The material of the inner and outer frame: 0.85mm galvanized steel and 0.15mm painting powder
 2. Powder coated on both inner and outer frame, the thickness is 80-130 μm .
 3. The strcture of the lock need to be galvanized .
 4. No scratch on the surface , open and close easily .
 5. The producer of black fire seal: Marvon S.r.l.
 6. The weight of the gypsonite board : 8.3KG/M²
 7. Thickness of the wool: Normal 40mm
 8. material information of the wool: ROCKWOOL brand wool of 140kgs/m³ TR-S140
 9. thickness of the board: 9.5mm HC 2400X1200X9.5
 10. material information of the board: KNAUF brand fire-rated gypsum board

 杭州顺事五金机械有限公司 HANGZHOU SHUNSHI HARDWARE AND MACHINERY CO.,LTD		Fire rated access panel		
		设计 DRAWER	HUANGQIANG	Size : 400*400 (Regular lock)
审核 AUDITOR	ZHOULIHUA	数量 QTY	日期 DATE	SS-AP525-01
批准 APPROVER	CHENXUEXIN	1	2017.4.22	
1 OF 5				



Partial view G



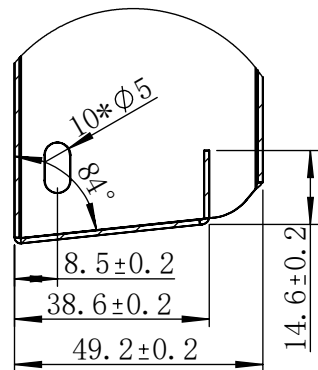
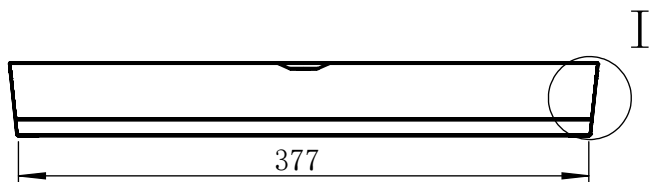
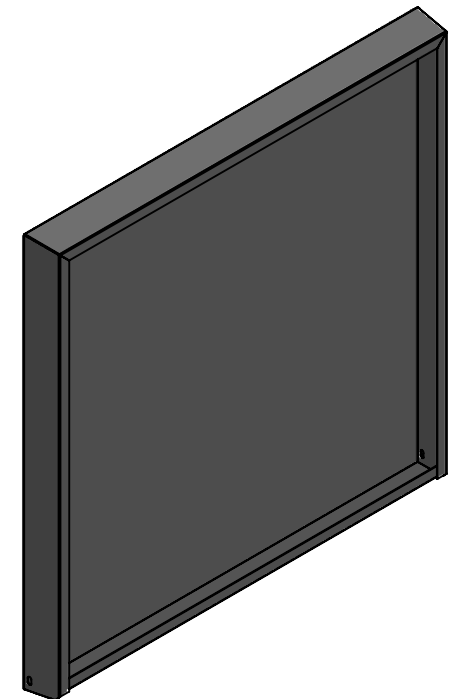
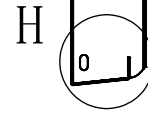
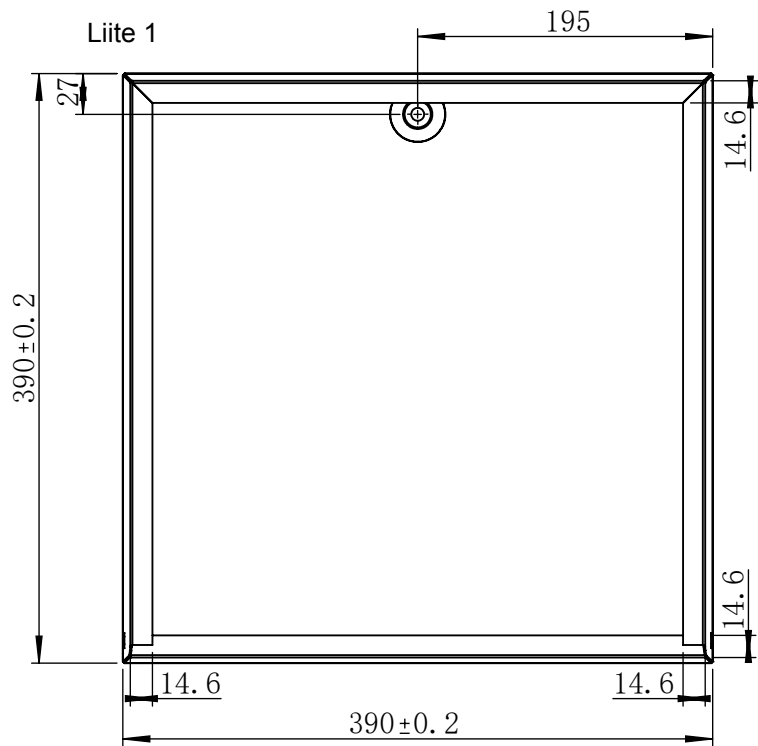
G

 杭州顺事五金机械有限公司 HANGZHOU SHUNSHI HARDWARE AND MACHINERY CO.,LTD			
设计 DRAWER	HUANGQIANG	MATERIAL:0.9MM ANTI-FINGERPRINT STEEL	
审核 AUDITOR	ZHOULIHUA	数量 QTY	日期 DATE
批准 APPROVER	CHENXUEXIN	1	2017.4.22
2 OF 5			FRAME
			SS-AP525-02

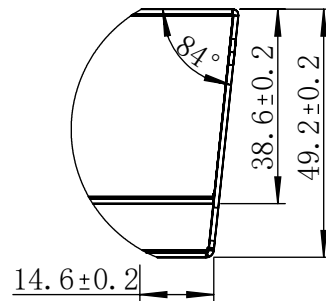
Liite 1

VTT-RTH-00019-16 lajennus 2.5.2017

13/33

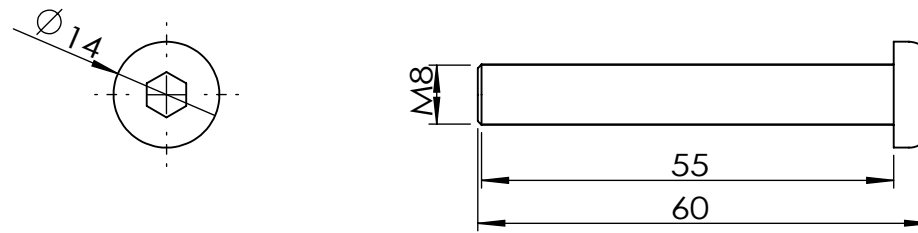


Partial view H

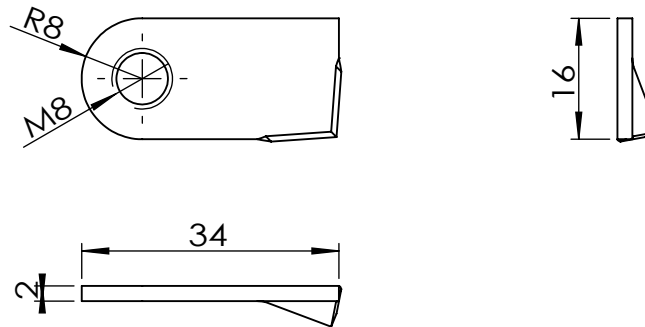


Partial view I

 杭州顺事五金机械有限公司 HANGZHOU SHUNSHI HARDWARE AND MACHINERY CO.,LTD				
设计 DRAWER	HUANGQIANG	MATERIAL:0.9MM ANTI-FINGERPRINT STEEL		
审核 AUDITOR	ZHOULIHUA	数量 QTY	日期 DATE	DOOR
批准 APPROVER	CHENXUEXIN	1	2017.4.22	
3 OF 5				SS-AP525-03

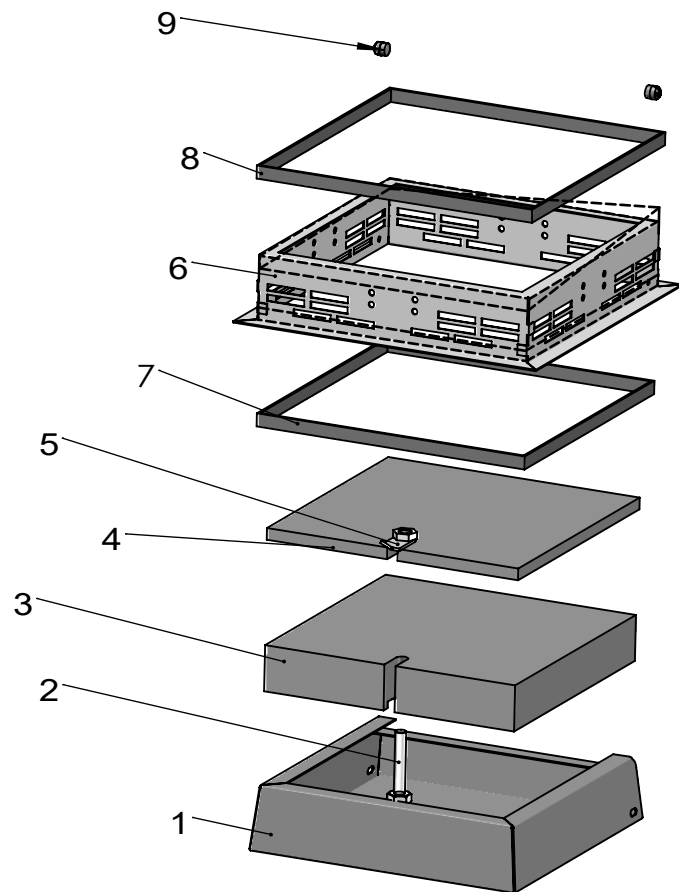


Regular lock -galvanized on the surface



Lock blade -Powder coated on the surface

 杭州顺事五金机械有限公司 HANGZHOU SHUNSHI HARDWARE AND MACHINERY CO.,LTD		Fire rated access panel-accessory		
		设计 DRAWER	HUANGQIANG	Size : 200*200 (Regular lock)
审核 AUDITOR	ZHOULIHUA	数量 QTY	日期 DATE	SS-AP525-05
批准 APPROVER	CHENXUEXIN	1	2017.4.22	
4 OF 5				



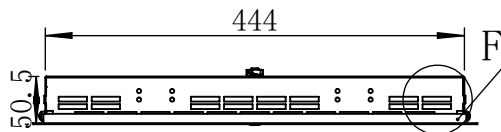
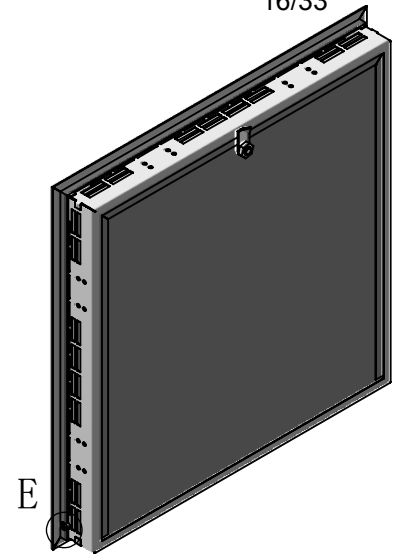
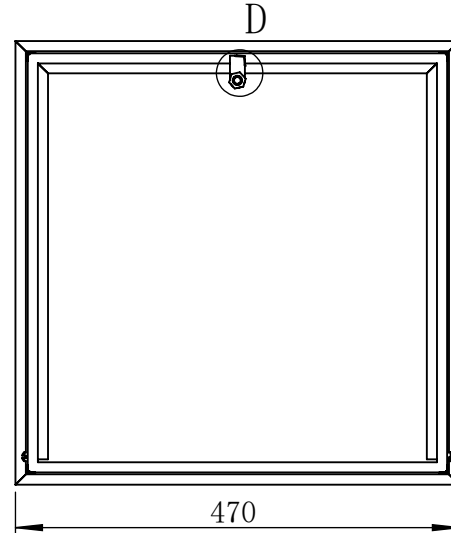
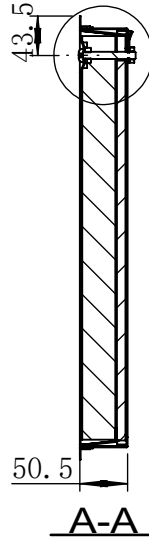
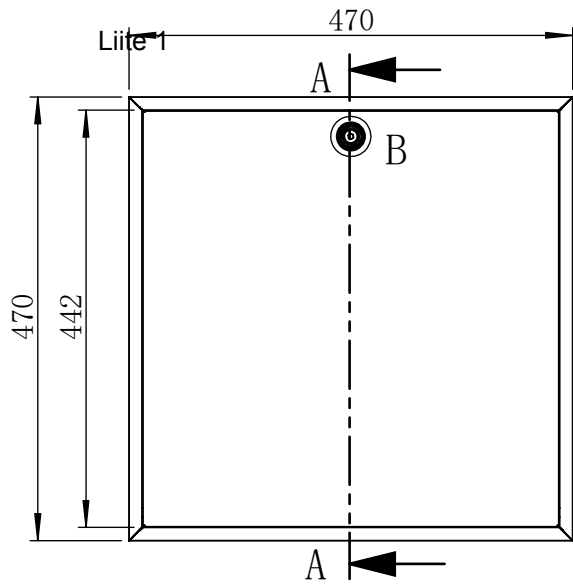
- 1-DOOR
- 2-FIXING THE NUT IN THE DOOR
- 3-FIXING FIRE WOOL IN THE DOOR
- 4-FIXING GYPSONITE IN THE FIRE WOOL
- 5-LOCK
- 6-FRAME
- 7-INSIDE BLACK SEAL
- 8-OUT BLACK SEAL
- 9-FIXING THE DOOR AND FRAME BY SCREW

INSTALLING INSTRCTIONS: ① - ② - ③ - ④ - ⑤ - ⑥ - ⑦ - ⑧ - ⑨

 杭州顺事五金机械有限公司 HANGZHOU SHUNSHI HARDWARE AND MACHINERY CO.,LTD			
设计 DRAWER	HUANGQIANG	Fire rated access panel-accessory	
审核 AUDITOR	ZHOULIHUA	数量 QTY	日期 DATE
批准 APPROVER	CHENXUEXIN	1	2017.4.22
6 OF 6			Size : 200*200 (Regular lock)
			SS-AP525-06

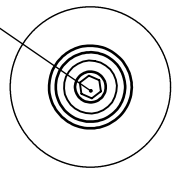
VTT-RTH-00019-16 laajennus 5.5.2017

16/33



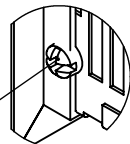
Marvon black fire seal

Regular lock

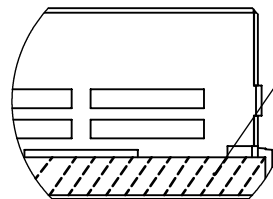


$\frac{B}{1:2}$

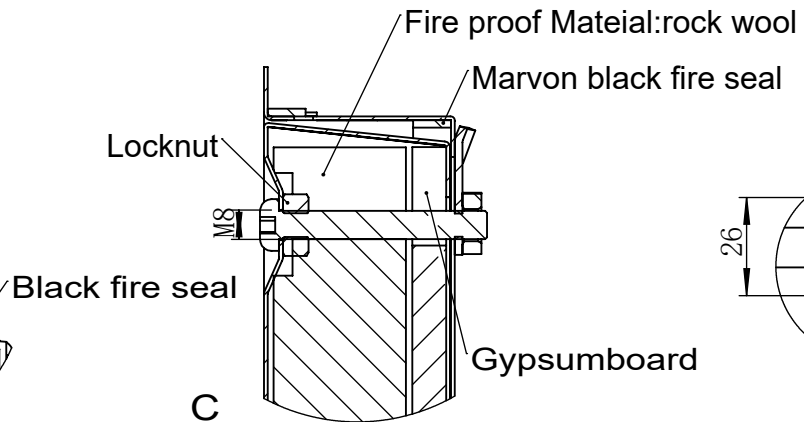
M5*10 Screw



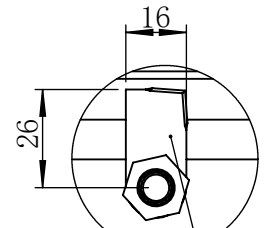
$\frac{E}{1:2}$



$\frac{F}{1:2}$



$\frac{C}{1:2}$



$\frac{D}{1:2}$

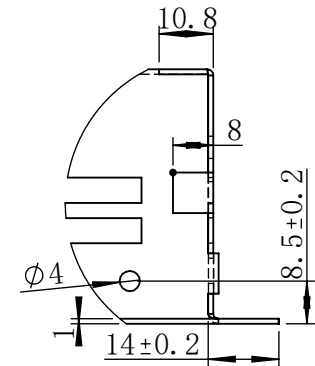
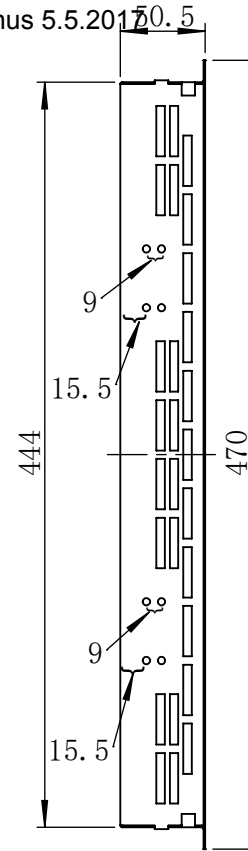
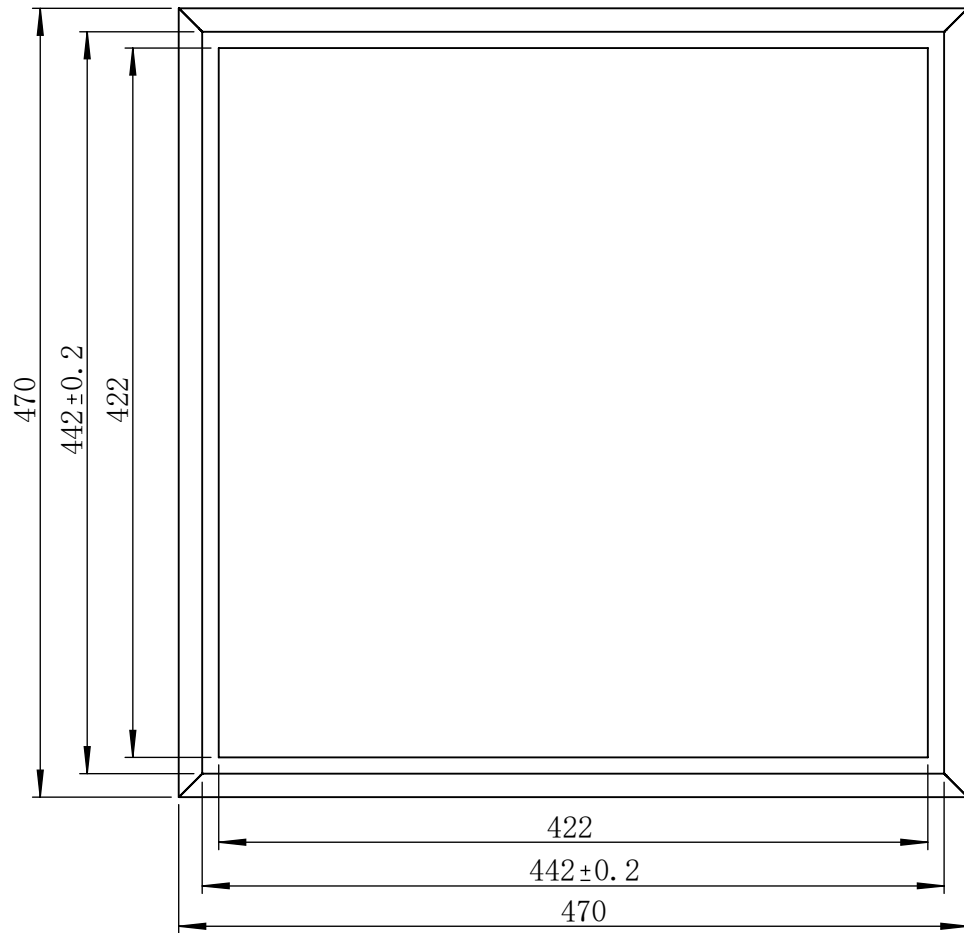
NOTE:

1. The material of the inner and outer frame: 0.85mm galvanized steel and 0.15mm painting powder
2. Powder coated on both inner and outer frame, the thickness is 80-130 μm .
3. The structure of the lock need to be galvanized.
4. No scratch on the surface, open and close easily.
5. The producer of black fire seal: Marvon S.r.l.
6. The weight of the gypsonite board : 8.3KG/M²
7. Thickness of the wool: Normal 40mm
8. material information of the wool: ROCKWOOL brand wool of 140kgs/m³ TR-S140
9. thickness of the board: 9.5mm HC 2400X1200X9.5
10. material information of the board: KNAUF brand fire-rated gypsum board

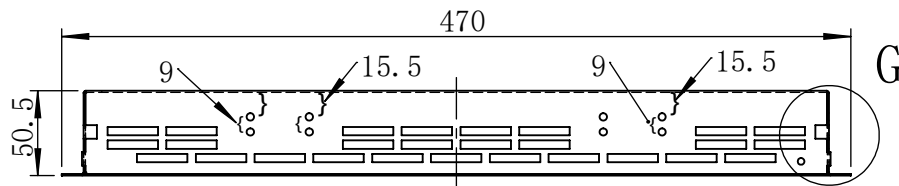


杭州顺事五金机械有限公司
HANGZHOU SHUNSHI HARDWARE AND MACHINERY CO.,LTD

设计 DRAWER	HUANGQIANG	Fire rated access panel		
审核 AUDITOR	ZHOULIHUA	数量 QTY	日期 DATE	Size : 450*450 (Regular lock)
批准 APPROVER	CHENXUEXIN	1	2017.4.22	
1 OF 5				SS-AP525-01



Partial view G



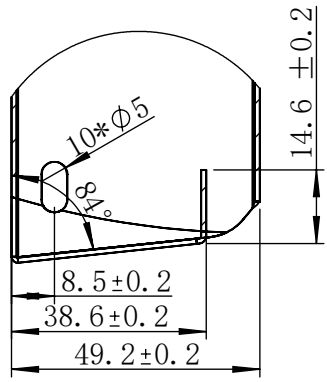
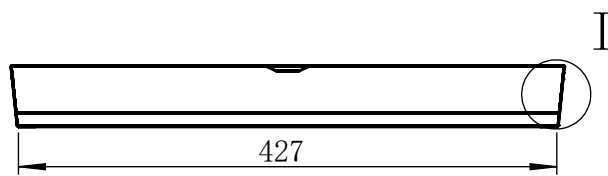
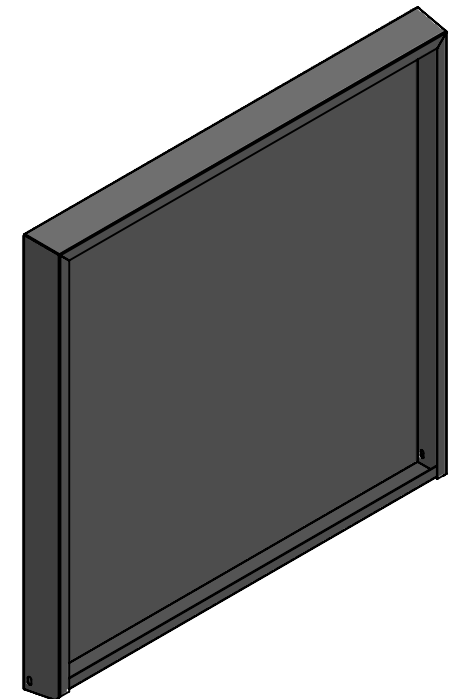
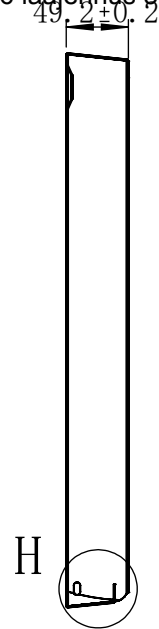
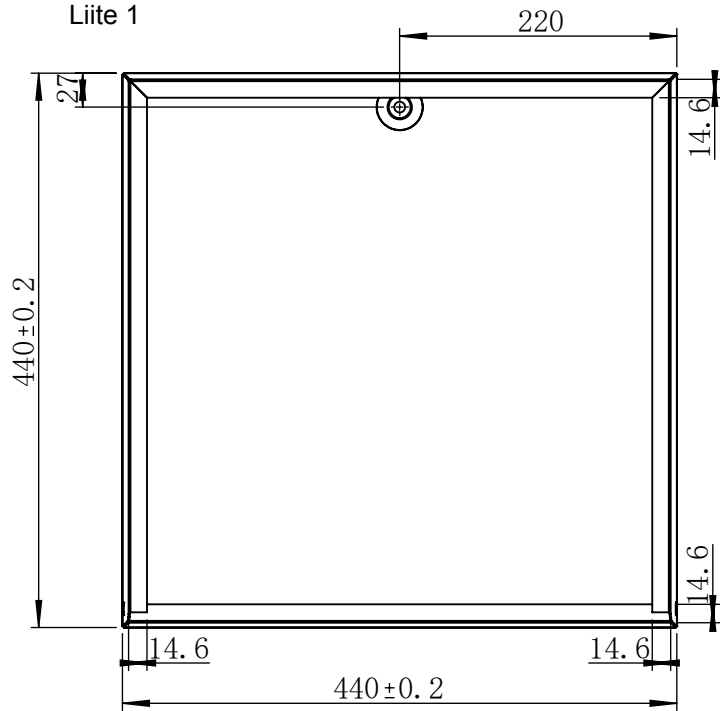
G

 杭州顺事五金机械有限公司 HANGZHOU SHUNSHI HARDWARE AND MACHINERY CO.,LTD			
设计 DRAWER	HUANGQIANG	MATERIAL:0.9MM ANTI-FINGERPRINT STEEL	
审核 AUDITOR	ZHOULIHUA	数量 QTY	日期 DATE
批准 APPROVER	CHENXUEXIN	1	2017.4.22
2 OF 5			FRAME
			SS-AP525-02

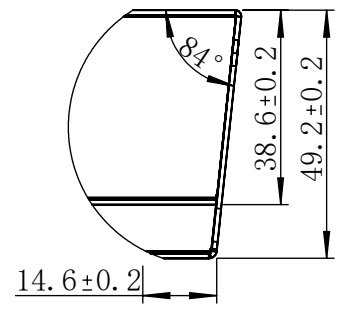
Liite 1

VTT-RTH-00019-16 laajennus 5.5.2017

18/33

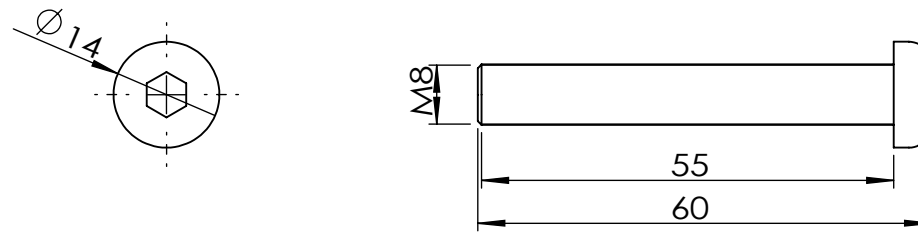


Partial view H

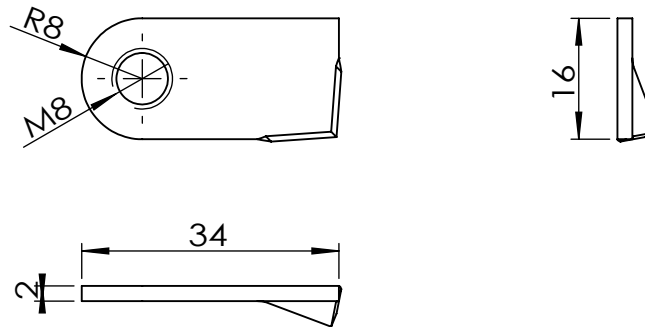


Partial view I

 杭州顺事五金机械有限公司 HANGZHOU SHUNSHI HARDWARE AND MACHINERY CO.,LTD				
设计 DRAWER	HUANGQIANG	MATERIAL:0.9MM ANTI-FINGERPRINT STEEL		
审核 AUDITOR	ZHOULIHUA	数量 QTY	日期 DATE	DOOR
批准 APPROVER	CHENXUEXIN	1	2017.4.22	
3 OF 5				SS-AP525-03

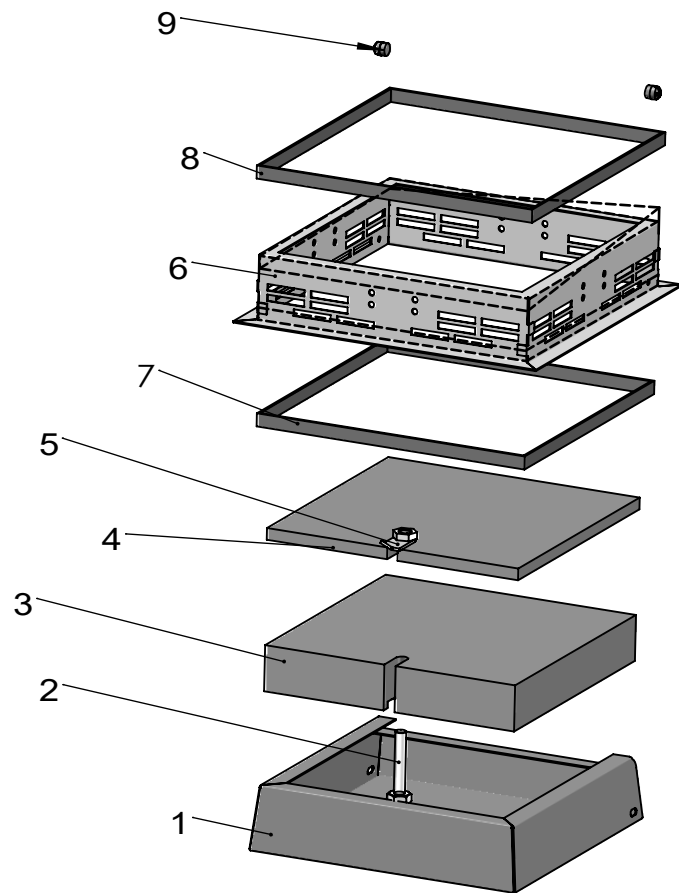


Regular lock -galvanized on the surface



Lock blade -Powder coated on the surface

 杭州顺事五金机械有限公司 HANGZHOU SHUNSHI HARDWARE AND MACHINERY CO.,LTD			
设计 DRAWER	HUANGQIANG	Fire rated access panel-accessory	
审核 AUDITOR	ZHOULIHUA	数量 QTY	日期 DATE
批准 APPROVER	CHENXUEXIN	1	2017.4.22
4 OF 5			Size : 200*200 (Regular lock)
			SS-AP525-05



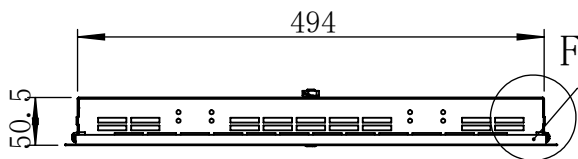
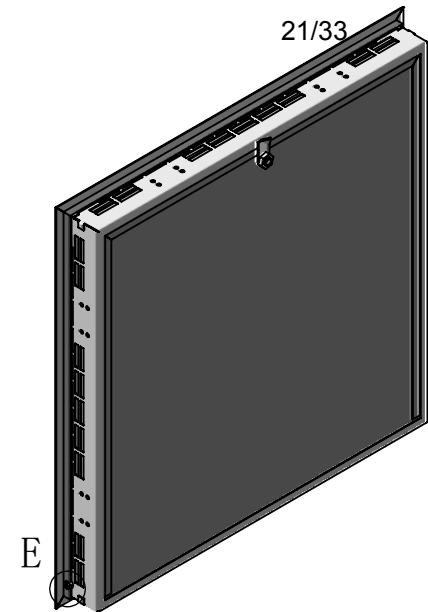
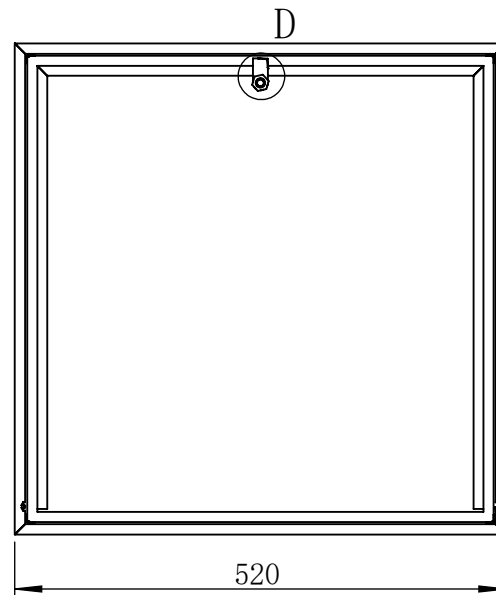
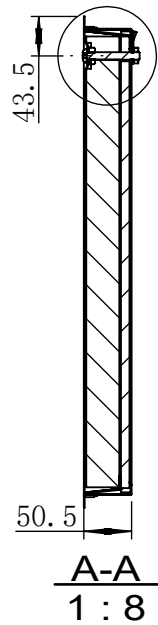
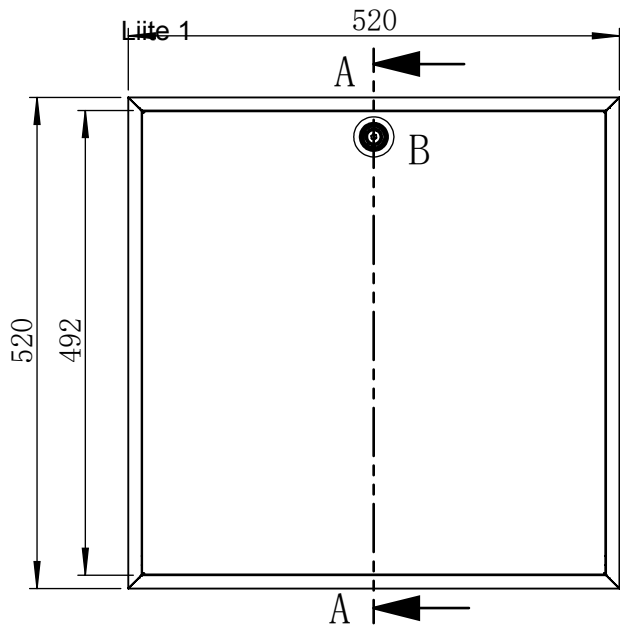
- 1-DOOR
- 2-FIXING THE NUT IN THE DOOR
- 3-FIXING FIRE WOOL IN THE DOOR
- 4-FIXING GYPSONITE IN THE FIRE WOOL
- 5-LOCK
- 6-FRAME
- 7-INSIDE BLACK SEAL
- 8-OUT BLACK SEAL
- 9-FIXING THE DOOR AND FRAME BY SCREW

INSTALLING INSTRCUTIONS: ① - ② - ③ - ④ - ⑤ - ⑥ - ⑦ - ⑧ - ⑨

 杭州顺事五金机械有限公司 HANGZHOU SHUNSHI HARDWARE AND MACHINERY CO.,LTD			
设计 DRAWER	HUANGQIANG	Fire rated access panel-accessory	
审核 AUDITOR	ZHOULIHUA	数量 QTY	日期 DATE
批准 APPROVER	CHENXUEXIN	1	2017.4.22
6 OF 6			Size : 200*200 (Regular lock)
			SS-AP525-06

VTT-RTH-00019-16 laajennus 5.5.2017

21/33

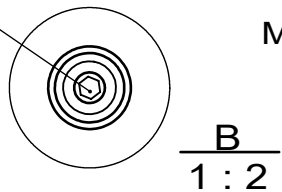


Marvon black fire seal

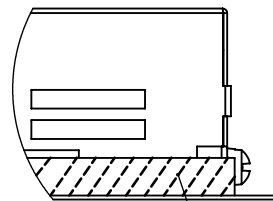
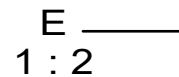
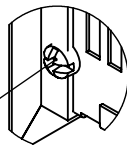
Fire proof Mateial:rock wool

Marvon black fire seal

Regular lock

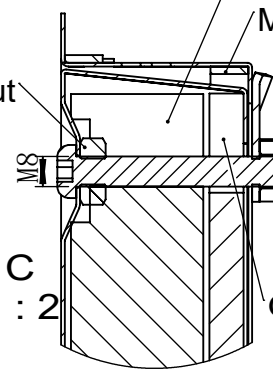


M5*10 Screw



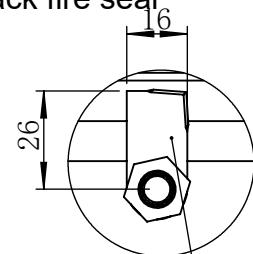
Black fire seal

Locknut

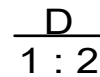


C
1:2

Gypsumboard



Lock blade



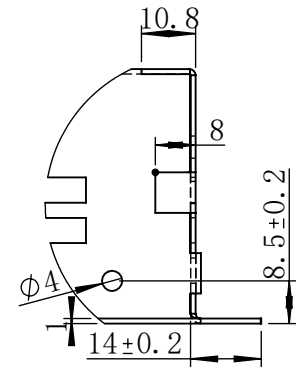
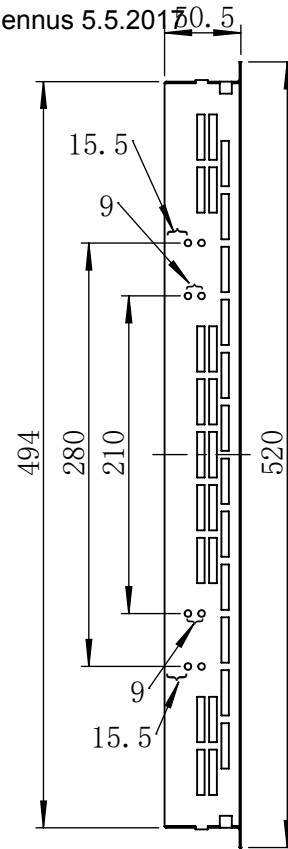
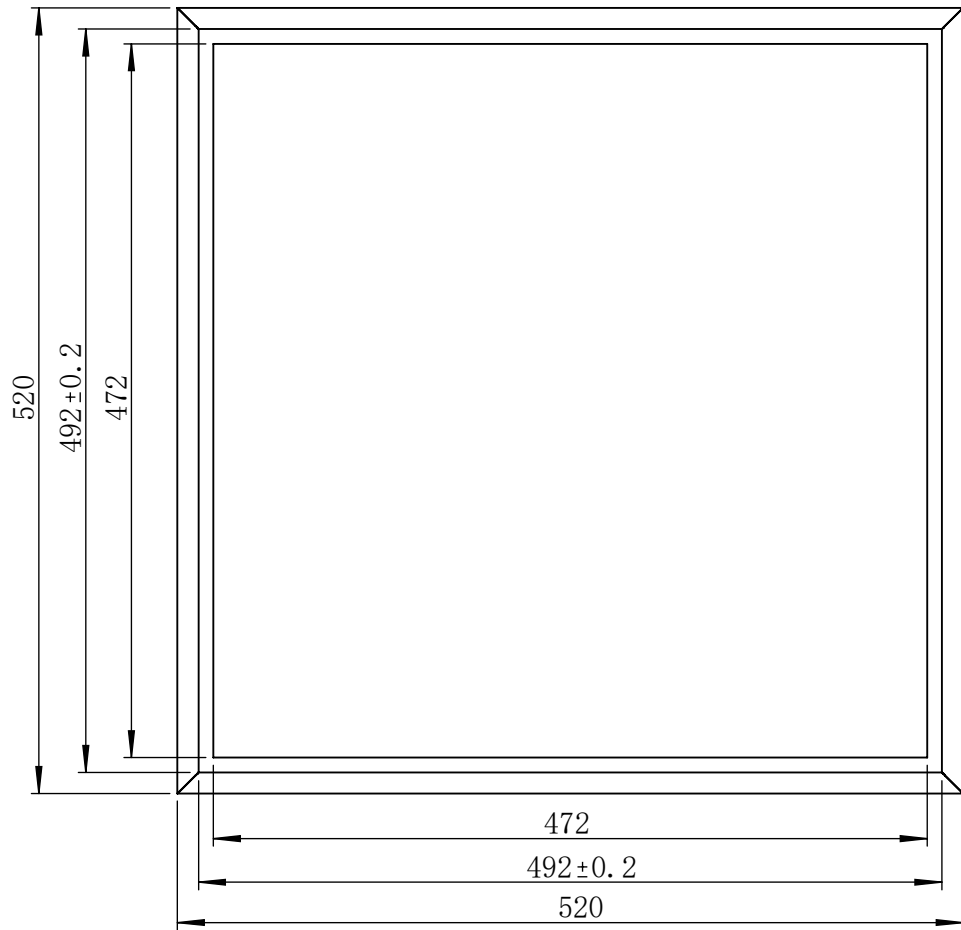
NOTE:

- 1.The material of the inner and outer frame:0.85mm galvanized steel and 0.15mm painting powder
- 2.Powder coated on both inner and outer frame,the thickness is 80-130 μm .
- 3.The strcture of the lock need to be galvanized .
- 4.No scratch on the surface , open and close easily .
- 5.The producer of black fire seal: Marvon S.r.l.
- 6.The weight of the gypsonite board : 8.3KG/M²
- 7.Thickness of the wool: Normal 40mm
- 8.material information of the wool:ROCKWOOL brand wool of 140kgs/m³ TR-S140
- 9.thickness of the board:9.5mm HC 2400X1200X9.5
- 10.material information of the board:KNAUF brand fire-rated gypsum board

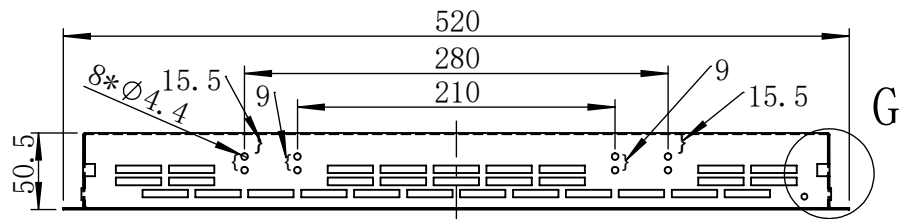


杭州顺事五金机械有限公司
HANGZHOU SHUNSHI HARDWARE AND MACHINERY CO.,LTD

设计 DRAWER	HUANGQIANG	Fire rated access panel		
审核 AUDITOR	ZHOULIHUA	数量 QTY	日期 DATE	Size : 500*500 (Regular lock)
批准 APPROVER	CHENXUEXIN	1	2017.4.22	
1 OF 5				SS-AP525-01



Partial view G

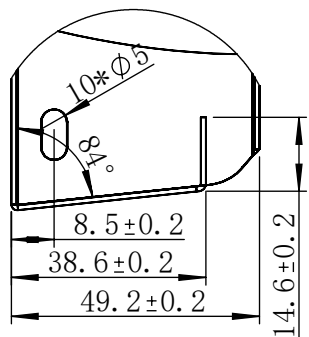
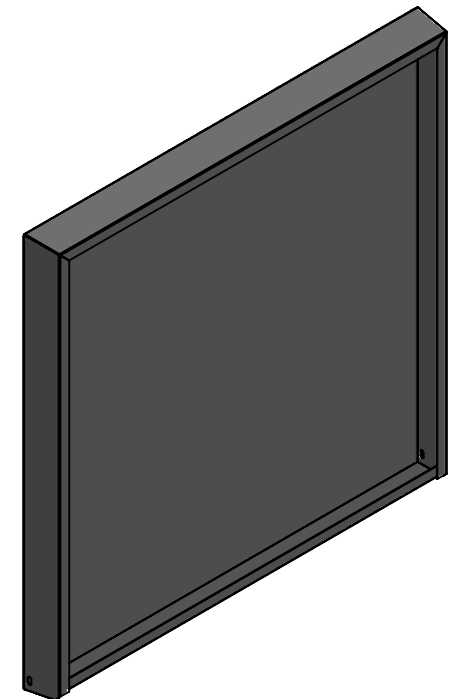
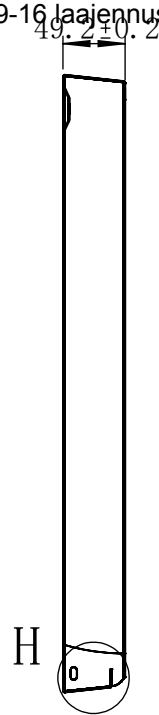
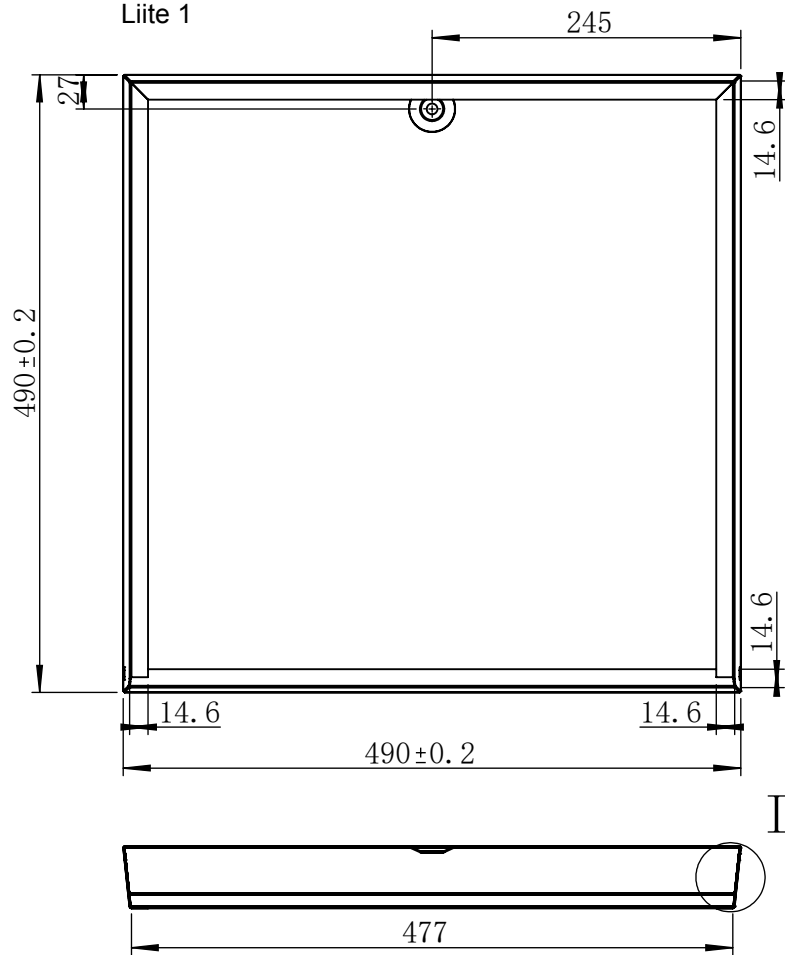


 杭州顺事五金机械有限公司 HANGZHOU SHUNSHI HARDWARE AND MACHINERY CO.,LTD			
设计 DRAWER	HUANGQIANG	MATERIAL:0.9MM ANTI-FINGERPRINT STEEL	
审核 AUDITOR	ZHOULIHUA	数量 QTY	日期 DATE
批准 APPROVER	CHENXUEXIN	1	2017.4.22
2 OF 5			FRAME
			SS-AP525-02

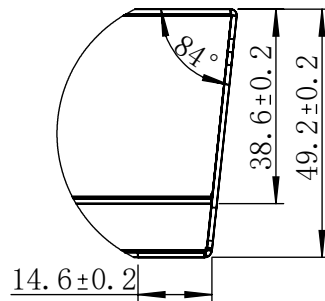
Liite 1

VTT-RTH-00019-16 laajennus 5.5.2017

23/33

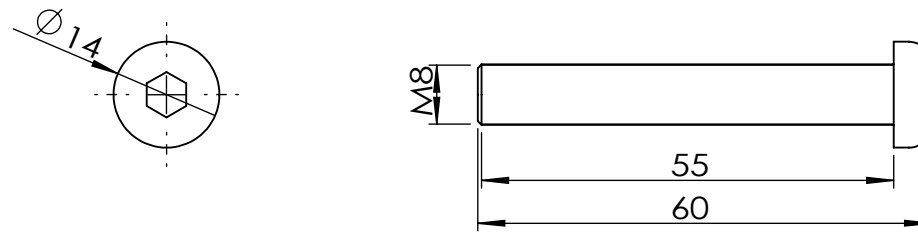


Partial view H

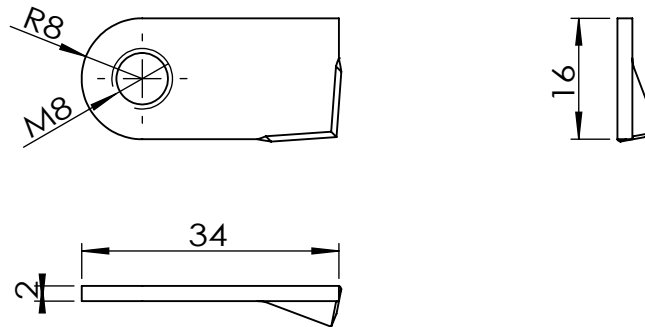


Partial view I

 杭州顺事五金机械有限公司 HANGZHOU SHUNSHI HARDWARE AND MACHINERY CO.,LTD				
设计 DRAWER	HUANGQIANG	MATERIAL:0.9MM ANTI-FINGERPRINT STEEL		
审核 AUDITOR	ZHOULIHUA	数量 QTY	日期 DATE	DOOR
批准 APPROVER	CHENXUEXIN	1	2017.4.22	
3 OF 5				SS-AP525-03

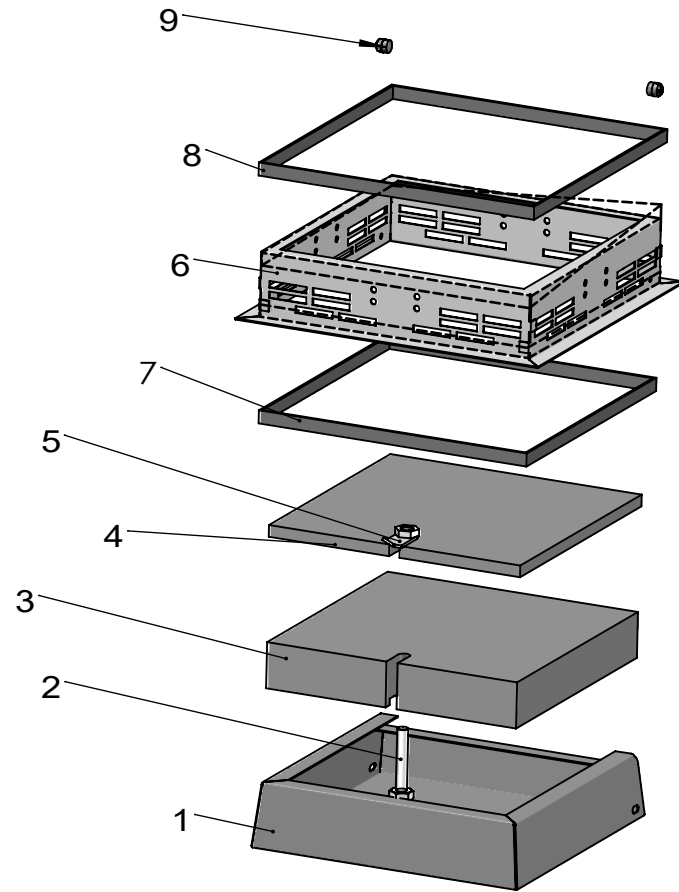


Regular lock -galvanized on the surface



Lock blade -Powder coated on the surface

 杭州顺事五金机械有限公司 HANGZHOU SHUNSHI HARDWARE AND MACHINERY CO.,LTD			
设计 DRAWER	HUANGQIANG	Fire rated access panel-accessory	
审核 AUDITOR	ZHOULIHUA	数量 QTY	日期 DATE
批准 APPROVER	CHENXUEXIN	1	2017.4.22
4 OF 5			Size : 200*200 (Regular lock)
			SS-AP525-05



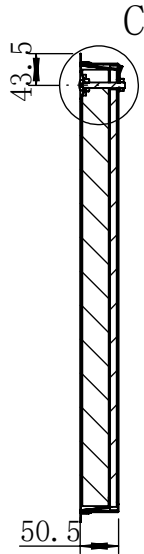
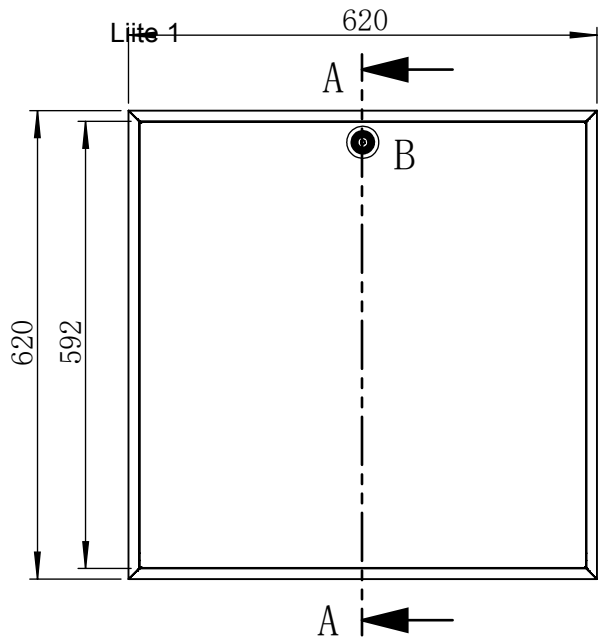
- 1-DOOR
- 2-FIXING THE NUT IN THE DOOR
- 3-FIXING FIRE WOOL IN THE DOOR
- 4-FIXING GYPSONITE IN THE FIRE WOOL
- 5-LOCK
- 6-FRAME
- 7-INSIDE BLACK SEAL
- 8-OUT BLACK SEAL
- 9-FIXING THE DOOR AND FRAME BY SCREW

INSTALLING INSTRCTIONS: ① - ② - ③ - ④ - ⑤ - ⑥ - ⑦ - ⑧ - ⑨

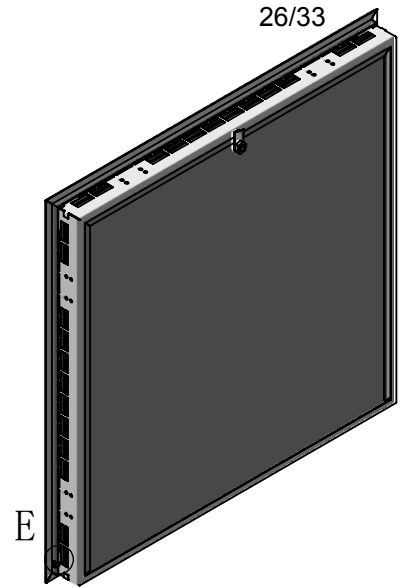
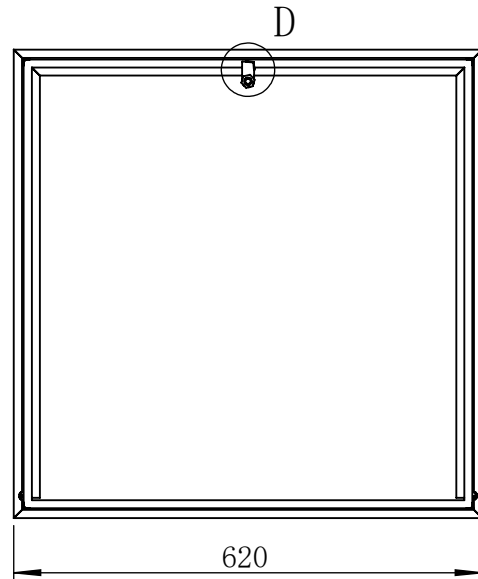
 杭州顺事五金机械有限公司 HANGZHOU SHUNSHI HARDWARE AND MACHINERY CO.,LTD			
设计 DRAWER	HUANGQIANG	Fire rated access panel-accessory	
审核 AUDITOR	ZHOULIHUA	数量 QTY	日期 DATE
批准 APPROVER	CHENXUEXIN	1	2017.4.22
6 OF 6			Size : 200*200 (Regular lock)
			SS-AP525-06

VTT-RTH-00019-16 laajennus 5.5.2017

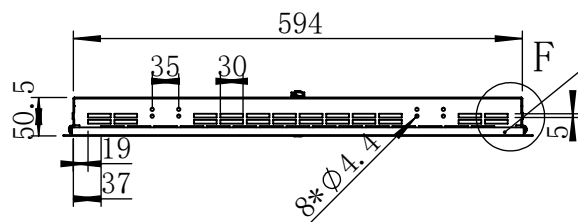
26/33



A-A
1 : 10



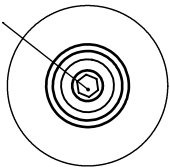
E



Marvon black fire seal

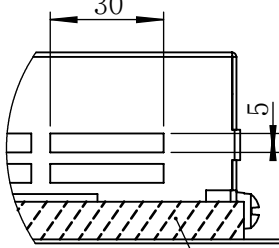
E
1 : 2

Regular Lock



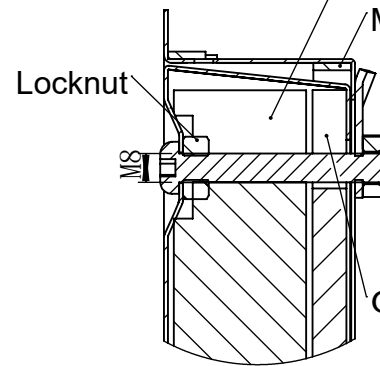
M5*10 Screw

B
1 : 2



F
1 : 2

Black fire seal

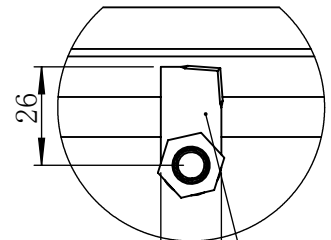


C
1 : 2

Fire proof Mateial:rock wool

Marvon black fire seal

Gypsumboard



Lock blade

D
1 : 2

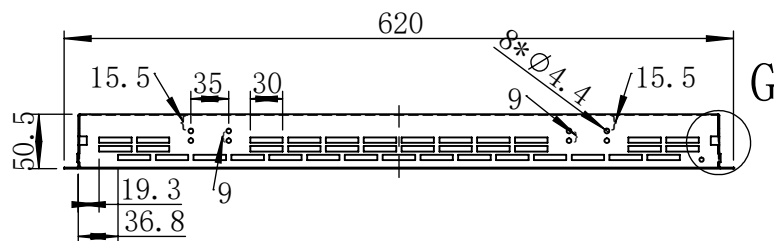
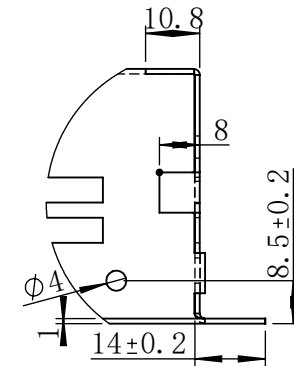
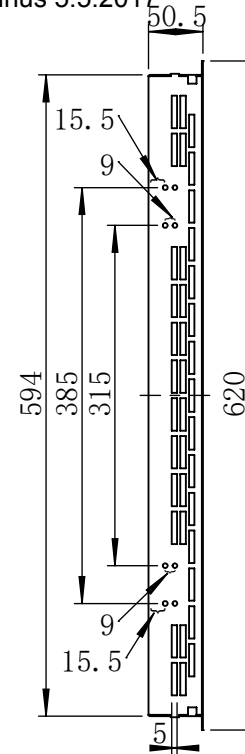
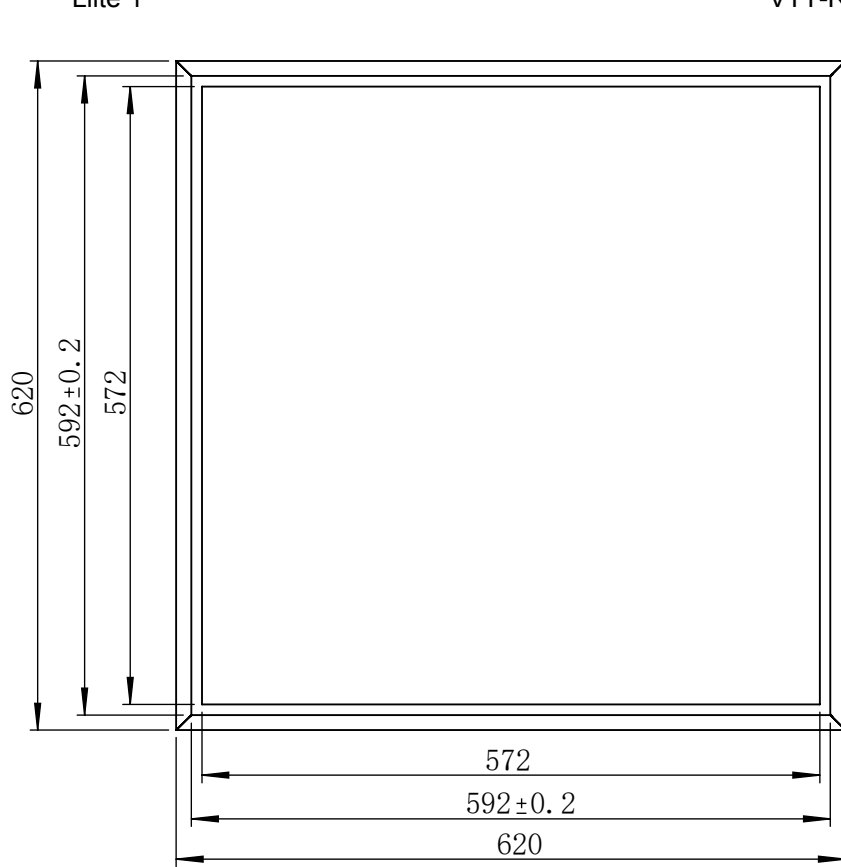
NOTE:


1. The material of the inner and outer frame:0.85mm galvanized steel and 0.15mm painting powder
2. Powder coated on both inner and outer frame,the thickness is 80-130 μm .
3. The strcture of the lock need to be galvanized .
- 4.No scratch on the surface , open and close easily .
5. The producer of black fire seal: Marvon S.r.l.
6. The weight of the gypsonite board : 8.3KG/M²
7. Thickness of the wool: Normal 40mm
8. material information of the wool:ROCKWOOL brand wool of 140kgs/m³ TR-S140
9. thickness of the board:9.5mm HC 2400X1200X9.5
10. material information of the board:KNAUF brand fire-rated gypsum board

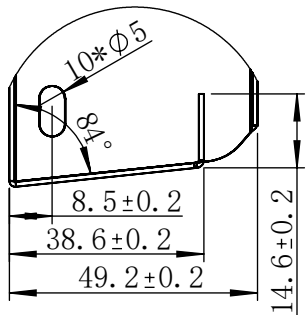
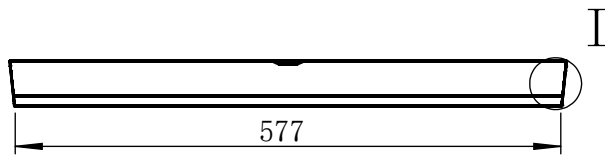
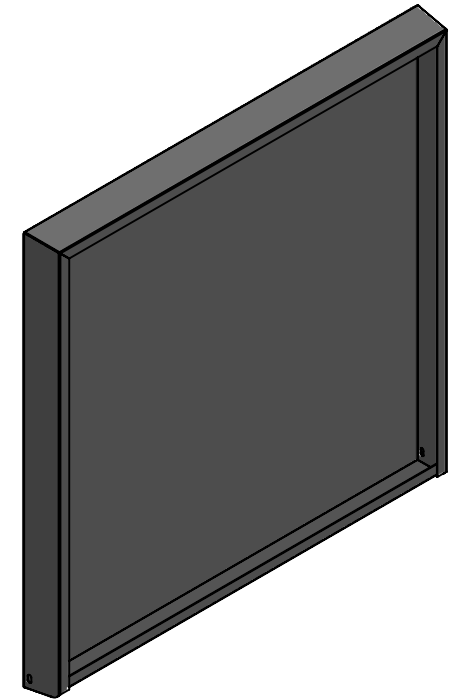
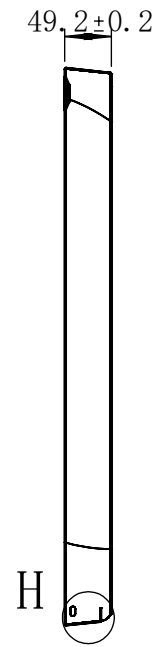
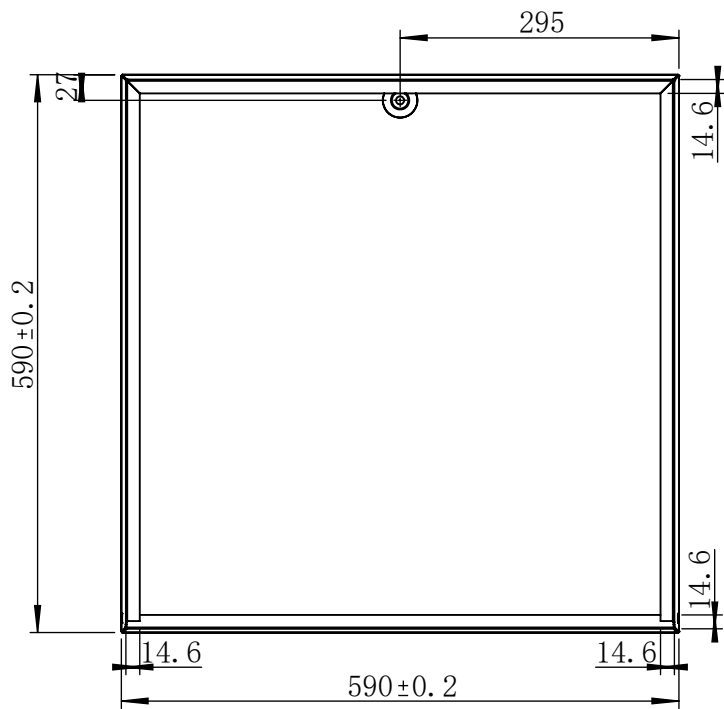


杭州顺事五金机械有限公司
HANGZHOU SHUNSHI HARDWARE AND MACHINERY CO.,LTD

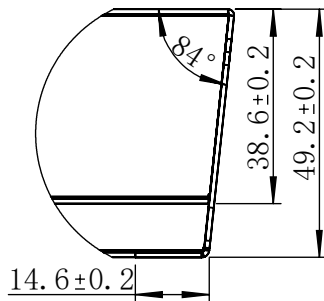
设计 DRAWER	HUANGQIANG	Fire rated access panel		
审核 AUDITOR	ZHOULIHUA	数量 QTY	日期 DATE	Size : 600*600 (Regular lock)
批准 APPROVER	CHENXUEXIN	1	2017.4.22	
1 OF 5				SS-AP525-01



 杭州顺事五金机械有限公司 HANGZHOU SHUNSHI HARDWARE AND MACHINERY CO.,LTD		Partial view G	
设计 DRAWER	HUANGQIANG	MATERIAL:0.9MM ANTI-FINGERPRINT STEEL	
审核 AUDITOR	ZHOULIHUA	数量 QTY	日期 DATE
批准 APPROVER	CHENXUEXIN	1	2017.4.22
2 OF 5			FRAME
			SS-AP525-02

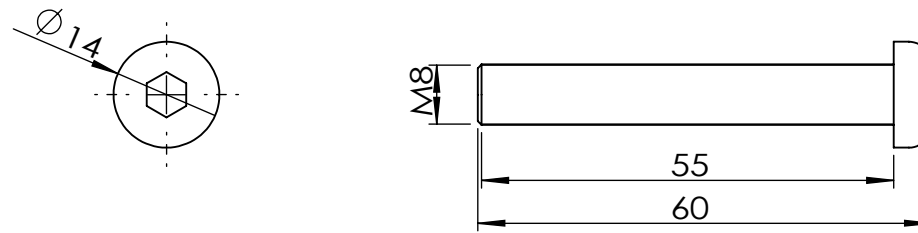


Partial view H

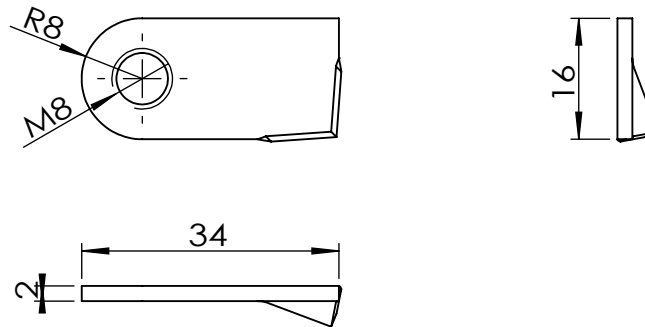


Partial view I

		杭州顺事五金机械有限公司 HANGZHOU SHUNSHI HARDWARE AND MACHINERY CO.,LTD		
设计 DRAWER	HUANGQIANG	MATERIAL:0.9MM ANTI-FINGERPRINT STEEL		
审核 AUDITOR	ZHOULIHUA	数量 QTY	日期 DATE	door
批准 APPROVER	CHENXUEXIN	1	2017.4.22	
3 OF 5				SS-AP525-03

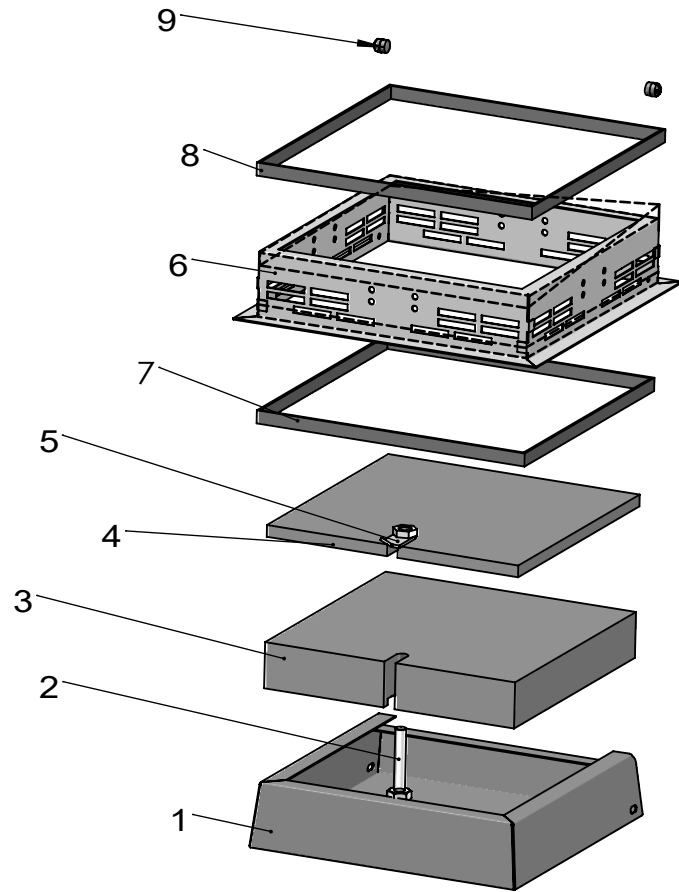


Regular lock -galvanized on the surface



Lock blade -Powder coated on the surface

 杭州顺事五金机械有限公司 HANGZHOU SHUNSHI HARDWARE AND MACHINERY CO.,LTD			
设计 DRAWER	HUANGQIANG	Fire rated access panel-accessory	
审核 AUDITOR	ZHOULIHUA	数量 QTY	日期 DATE
批准 APPROVER	CHENXUEXIN	1	2017.4.22
4 OF 5			Size : 200*200 (Regular lock)
			SS-AP525-05



- 1-DOOR
- 2-FIXING THE NUT IN THE DOOR
- 3-FIXING FIRE WOOL IN THE DOOR
- 4-FIXING GYPSONITE IN THE FIRE WOOL
- 5-LOCK
- 6-FRAME
- 7-INSIDE BLACK SEAL
- 8-OUT BLACK SEAL
- 9-FIXING THE DOOR AND FRAME BY SCREW

INSTALLING INSTRCUTIONS: ① - ② - ③ - ④ - ⑤ - ⑥ - ⑦ - ⑧ - ⑨

 顺事 SHUNSHI		杭州顺事五金机械有限公司 HANGZHOU SHUNSHI HARDWARE AND MACHINERY CO.,LTD		
设计 DRAWER	HUANGQIANG	Fire rated access panel-accessory		
审核 AUDITOR	ZHOULIHUA	数量 QTY	日期 DATE	Size : 200*200 (Regular lock)
批准 APPROVER	CHENXUEXIN	1	2017.4.22	
6 OF 6				SS-AP525-06



EI30/EI60-paloluukkujen asennusohje

EI30/EI60-fire-rated access panels' installation instruction / EI30-brandluckornas installationsanvisning

Tyyppihyväksyntäpäätös numero VTT-RTH-00019-16 / Type approval number / typgodkännande nr VTT-RTH-00019-16

Asennusohje

1. Varmista että luukku asennetaan seinäkoolauksien väliin.

2. Mittaa ja piirrä kipsilevyn asennusaukon koko (ilmoitettu luukun koko). Leikkaa aukko kipsilevyn.

3. Avaa luukun kansi, jotta voit kiinnittää luukun.

4 a) Asentaminen kipsiseinään:

Luukku kiinnitetään rakenteeseen paketissa mukana olevien kiinnitysprofiilien avulla. Kiinnitysprofiilit laitetaan kipsilevyn takapuolelle ja kiinnitetään ruuvaamalla luukussa olevien kiinnitysreikien (halk. 3,0 mm) läpi. Kiinnitysprofiilien reiät on mitoitettu sekä yksittäiselle että kaksinkertaiselle kipsilevyille. *Suosittelava ruuvikoko: M4*25 mm.*

b) Asentaminen Siporex-seinään:

Luukku kiinnitetään rakenteeseen nauloilla luukun karmissa olevien reikien läpi. *Suosittelava naulakoko: 2,8*75 mm*

5. Sulje ja lukitse luukku.

Installation instruction

1. Make sure the access panel won't be placed over the wall frame.

2. Measure and draw the size of the installation hole in the plasterboard (size of the panel). Cut the hole in the plasterboard.

3. Make sure the panel is in open position when installing.

4 a) Installation for plasterboard:

Use the fastening components (incl. in the package) to fasten the panel. Screw the fastening components on to the backside of the wall through the mounting holes in the panel frame (diam. 3,0 mm). The holes in the fastening component are measured for both single and double gypsum board. *Recommended screw size: M4*25 mm*

b) Installation for Siporex-wall:

Use nails to install the panel into Siporex wall by using the holes in the panel frame. *Recommended nail size: 2,8*75 mm*

5. Close and lock the panel door.

Installationsanvisning

1. Granska att luckans kommande plats inte träffar väggens bjälkar.

2. Mät och rita ut monteringshålet i gipsskivan (anmälta luckans storlek). Skär ut hålet i gipsskivan.

3. Montera luckan i öppet läge.

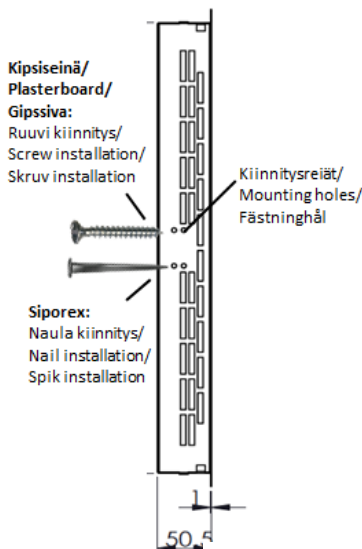
4 a) Installation för gipssiva:

Luckan fästs med fästningsprofiler som medkommer i paketet. Profilerna läggs mot gipsskivans baksida och skruvas fast genom fästningshålerna i luckans karm (diam.3,0 mm). Hålerna är mättade för både enkel och dubbel gipsskiva. *Rekommenderad skruvstorlek: M4*25 mm*

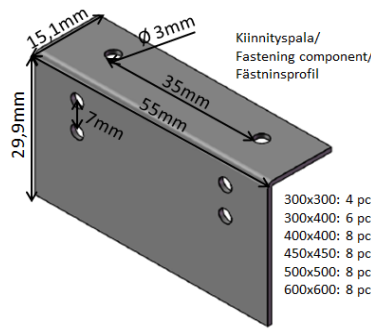
b) Installation i Siporex:

För installation i Siporex används spikar. Spika fast luckan genom fästningshålerna i luckans karm. *Rekommenderad spikstorlek: 2,8*75 mm*

5. Stäng och lås luckan.



Asennustapa a / installation a



Asennustapa b / installation b



Avain ei sisälly pakettiin / the key is not included in the package / Öppningsnyckeln medkommer inte i paketet

Tuotteisiin liittyvissä kysymyksissä ota yhteyttä myyjään / If any doubt please contact the seller / Mer info kontakta åter för säljare:

Lektar Oy

build@lektar.com

www.lektar.com



Installasjonsanvisning for brannluker EI30/EI60 EI30/EI60 tulekindlusega hooldusluugi paigaldusjuhend

Typegodkjenning nr VTT-RTH-00019-16

Tüübikinnitusnumber VTT-RTH-00019-16

Installasjonsanvisning

1. Kontroller at luken ikke treffer veggens bjelker.
2. Mål og tegn monteringshullet på gipsplaten (størrelsen på luken). Skjær ut huller i gipsplaten.
3. Monter luken i åpen posisjon.

4a) Installasjon for gipsplater:

Bruk medfølgende festeanordning til og feste luken. Profilene plasseres på gipsplatens bakside og skrues fast gjennom hullene i lukens karm (diam.3,0mm). Hullene er målt opp for enkle og doble gipsplater. *Anbefalt skruestørrelse: M4*25mm*

b) Installasjon for Siporex:

For installasjon i Siporex brukes spiker. Spikre fast gjennom hullene i lukens karm. *Anbefalt spikerstørrelse: 2,8*75mm*

5. Steng og lås luken.

Paigaldusjuhend

1. Veendu, et luugi asukoht ei kattu seinä karkassiga.
2. Mõõda ja märgista kinnitusaugud kipsile (luugi suurus). Seejärel lõika need valmis.
3. Jälgi, et luuk oleks paigaldamise ajal avatud asendis.

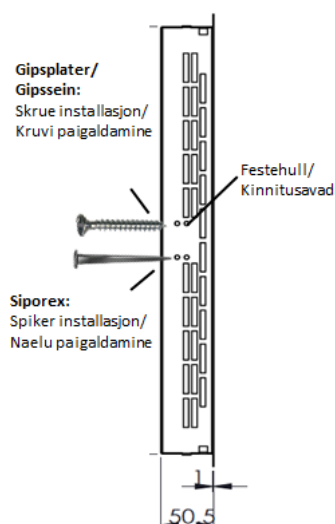
4 a) Paigaldamine kipsseinale:

Kasuta kaasasolevat kinnitusprofiili. Krugi antud profiil seinä tagaküljele läbi seal olevate avade (diameeter 3 mm). Kinnitusprofiilis on avad nii ühekordse kui kahekordse kipsi tarvis. Soovitatav krugi suurus: M4*25 mm

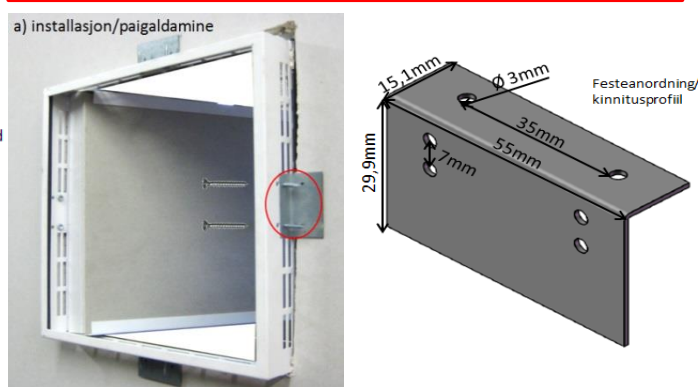
b) Paigaldamine kergplokile:

Kinnitamiseks kasuta naelu, mille jaoks on luugiraamis sobivad augud. Soovitatav naela suurus: 2,8*75 mm

5. Sulge ja lukusta luuk.



Installasjon a / paigaldamine a



Installasjon b / paigaldamine b



Nokkel ikke inkludert/ võtit ei ole kaasas

For mer informasjon kontaktes selger / Probleemide korral võta ühendust müüjaga.

Lektar Oy

build@lektar.com

www.lektar.com



EI30/EI60-paloluukkujen asennusohje

EI30/EI60-fire-rated access panels' installation instruction / EI30-brandluckornas installationsanvisning

Tyyppihyväksyntäpäätös numero VTT-RTH-00019-16 / Type approval number / typgodkännande nr VTT-RTH-00019-16

Asennusohje

1. Varmista että luukku asennetaan kattokoolauksien väliin.

2. Mittaa ja piirrä kipsilevyn asennusaukon koko (ilmoitettu luukun koko). Leikkaa aukko kipsilevyyn.

3. Avaa luukun kansi, jotta voit kiinnittää luukun.

4 a) Asentaminen kipsilevyyn:

Luukku kiinnitetään rakenteeseen paketissa mukana olevien kiinnitysprofiilien avulla. Kiinnitysprofiilit laitetaan kipsilevyn takapuolelle ja kiinnitetään ruuvaamalla luukussa olevien kiinnitysreikien (halk. 3,0 mm) läpi. Kiinnitysprofiilien reiät on mitoitettu sekä yksittäiselle että kaksinkertaiselle kipsilevyille. *Suosittelava ruuvikoko: M4*25 mm.*

b) Asentaminen Siporex-kattoon:

Luukku kiinnitetään rakenteeseen nauloilla luukun karmissa olevien reikien läpi. *Suosittelava naulakoko: 2,8*75 mm*

5. Sulje ja lukitse luukku.

Installation instruction

1. Make sure the access panel won't be placed over the ceiling frame.

2. Measure and draw the size of the installation hole in the plasterboard (size of the panel). Cut the hole in the plasterboard.

3. Make sure the panel is in open position when installing.

4 a) Installation for plasterboard:

Use the fastening components (incl. in the package) to fasten the panel. Screw the fastening components on to the backside of the wall through the mounting holes in the panel frame (diam. 3,0 mm). The holes in the fastening component are measured for both single and double gypsum board. *Recommended screw size: M4*25 mm*

b) Installation for Siporex-ceiling:

Use nails to install the panel into Siporex wall by using the holes in the panel frame. *Recommended nail size: 2,8*75 mm*

5. Close and lock the panel door.

Installationsanvisning

1. Granska att luckans kommande plats inte träffar tak bjälkar.

2. Mät och rita ut monteringshålet i gipsskivan (anmälta luckans storlek). Skär ut hålet i gipsskivan.

3. Montera luckan i öppet läge.

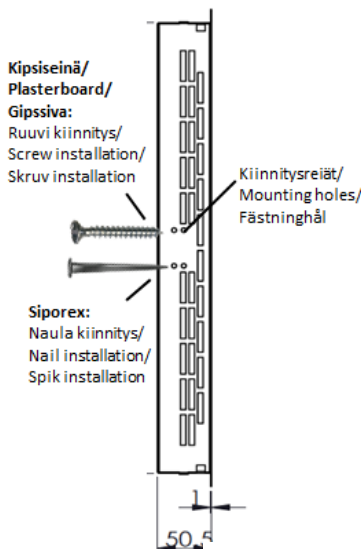
4 a) Installation för gipssiva:

Luckan fästs med fästningsprofiler som medkommer i paketet. Profilerna läggs mot gipsskivans baksida och skruvas fast genom fästningshålerna i luckans karm (diam.3,0 mm). Hålerna är mättade för både enkel och dubbel gipsskiva. *Rekommenderad skruvstorlek: M4*25 mm*

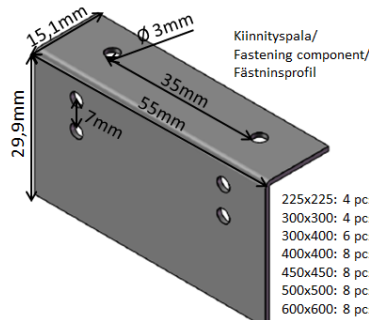
b) Installation i Siporex:

För installation i Siporex används spikar. Spika fast luckan genom fästningshålerna i luckans karm. *Rekommenderad spikstorlek: 2,8*75 mm*

5. Stäng och lås luckan.

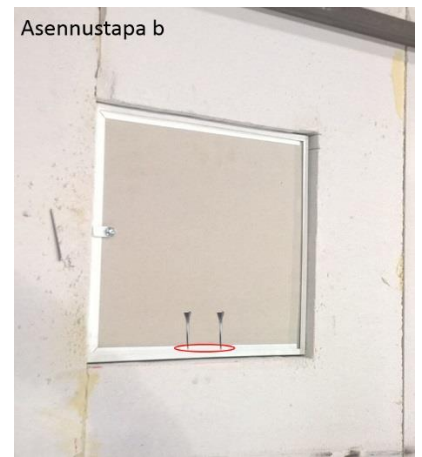


Asennustapa a / installation a



225x225: 4 pcs
300x300: 4 pcs
300x400: 6 pcs
400x400: 8 pcs
450x450: 8 pcs
500x500: 8 pcs
600x600: 8 pcs

Asennustapa b / installation b



Avain ei sisälly pakettiin / the key is not included in the package / Öppningsnyckeln medkommer inte i paketet

Tuotteisiin liittyvissä kysymyksissä ota yhteyttä myyjään / If any doubt please contact the seller / Mer info kontakta åter för säljare:

Lektar Oy

build@lektar.com

www.lektar.com