

SERIE 11  
 112026

# Disc Check valves

Nominal diameter options (DN) 15-200  
 Nominal pressure options (PN) 40  
 Maximum working temperature (°C) 400

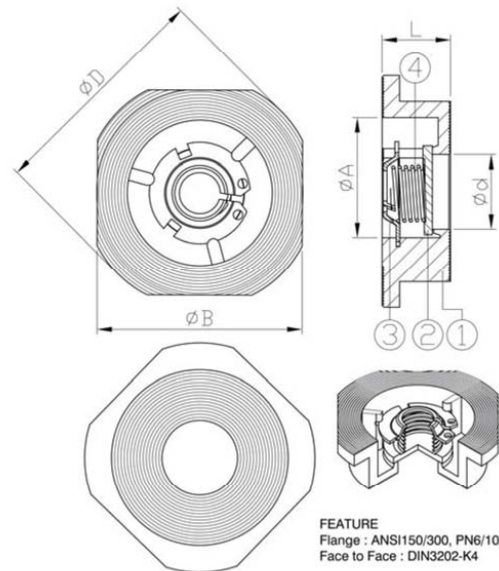


## FEATURES

- Nominal diameter: DN15~DN200)
- Nominal pressure: PN40
- Working temperature: -20°C...+200°C
- investment casting

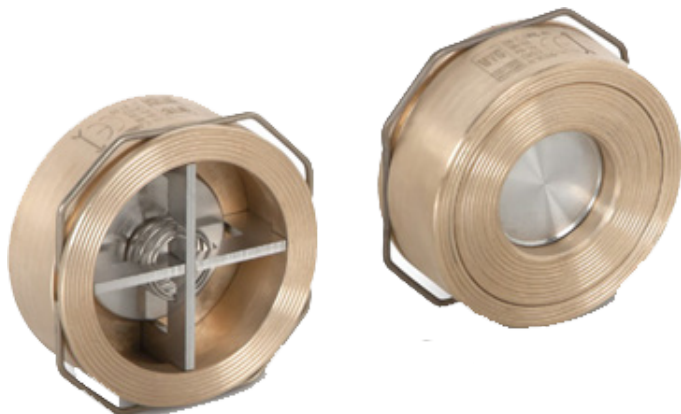
## MATERIALS AND PARTS

	Part	Material
1	Body	ASTM A351-CF8M
2	Disc	
3	Retainer	
4	Spring	AISI-304



- Other material options: Bronze and steel

Disc check valve, bronze



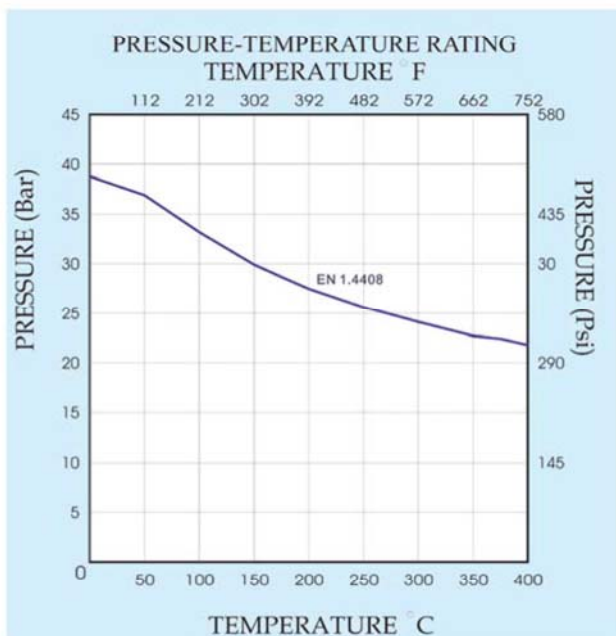
Disc check valve, steel



DIMENSIONS

DN	d	A	L	B	D	Weight (KG)
15	12,5	34	16	44,6	54	0,1
20	20	39	19	54	62	0,2
25	25	46	22	65	73	0,2
32	32	60	28	78	83	0,4
40	38	70	31,5	88	93	0,6
50	49	79	40	101,6	107	0,8
65	64	101	46	120,4	126,5	1,4
80	78	109	49	133	141,2	2
100	98	134	60	164	171,4	3
125	110	190	90	-	-	10
150	130	218	105	-	-	13
200	170	273	140	-	-	24

PRESSURE-TEMPERATURE RATING



INSTALLATION

Can be installed to any position:  
 Downwards flow  
 Horizontal flow  
 Upwards flow