

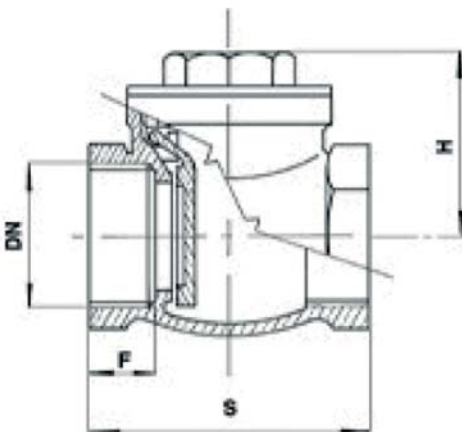
2250

Swing check valve

F/F
Metal seat



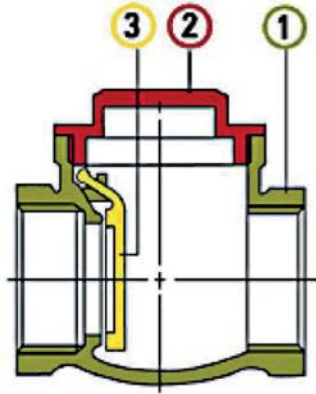
Tech drawings and tables



DN	Code	F	H	S	KG	PN	P/box
1/2"	032250000004	11	31	47	0,17	16	20
3/4"	032250000005	12	34	54	0,31	16	10
1"	032250000007	13	40	64	0,34	16	10
1"1/4	032250000008	14	46	76	0,66	16	10
1"1/2	032250000009	15	52	83	0,78	16	6
2"	032250000011	16	59	98	1,11	16	4
2"1/2	032250000013	18	67	116	1,91	16	1
3"	032250000014	20	77	135	2,48	16	1
4"	032250000016	22	91	164	3,66	10	1
5"	032250000018	23	118	206	10,67	10	1
6"	032250000019	27	134	235	14,84	10	1

Technical data

Art. 2250

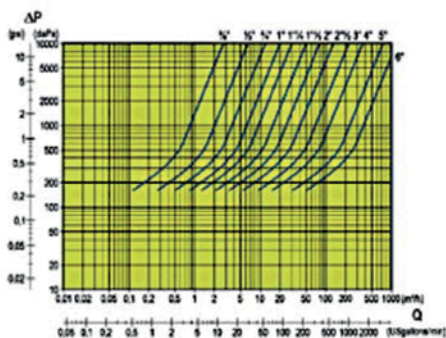


Materials

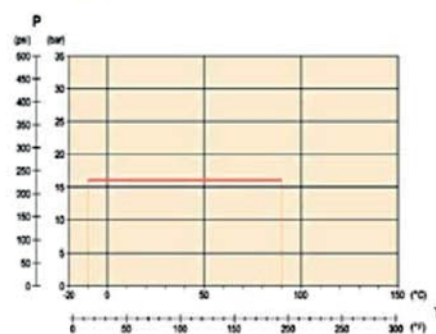
1	Body	1/2" - 4" Brass 5" - 6" Bronze
2	Plug	Brass
3	Obturator	Brass

Uses	General civil and industrial plant: water, heating and sanitary plants, waterworks, irrigation, etc.
Connections	ISO 228/1
Limit	-10°+90° (without liquid)
Notes	The max. working pressure (PN) means at a room temperature of about 23°C.

Pressure Loss Chart



Temperature/Pressure



Kv & Cv Coefficients

Size	Kv	Cv
1/2"	6,5	7,5
3/4"	12,0	14,0
1"	20,0	23,0
1"1/4	31,0	36,0
1"1/2	50,0	58,0
2"	79,0	91,0
2"1/2	130,0	150,0
3"	210,0	243,0
4"	370,0	428,0
5"	750,0	868,0
6"	1300,0	1504,0