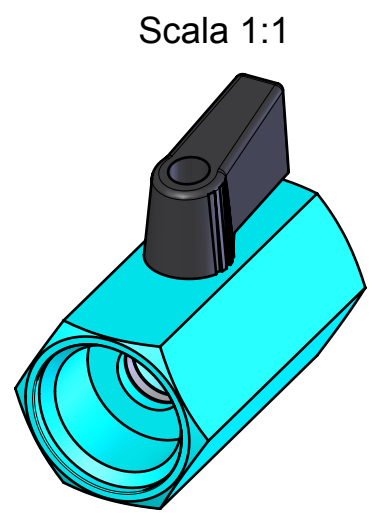
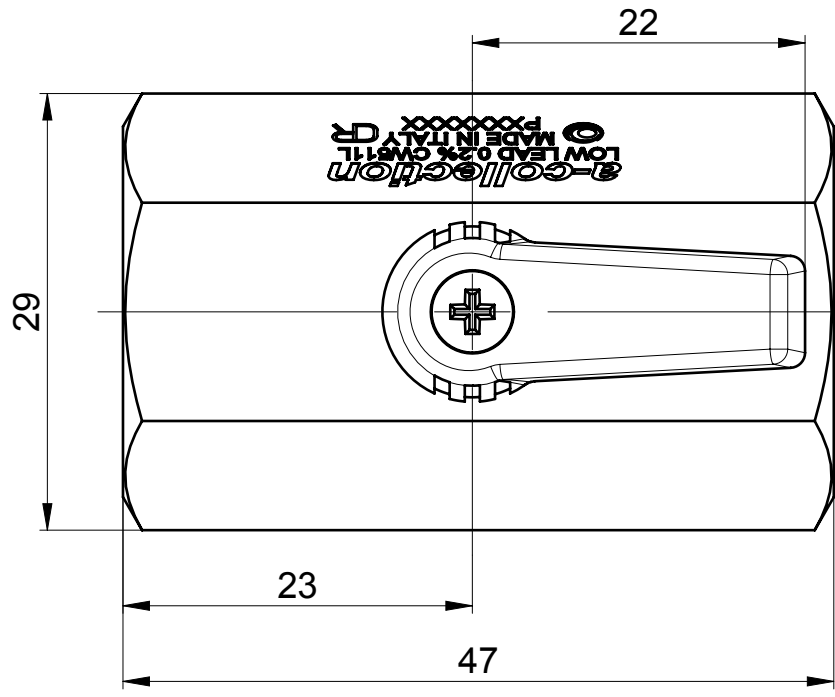
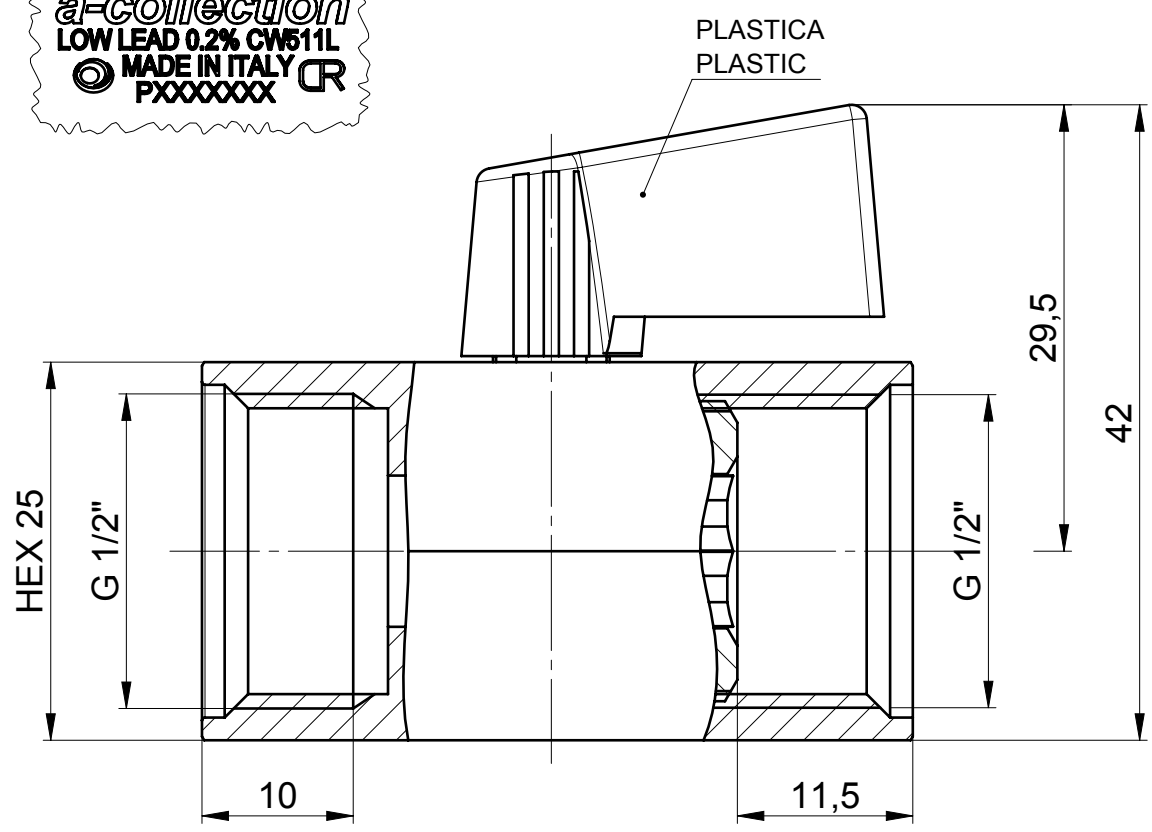


The exclusive ownership of this drawing is of Eurotermo Srl and in no case does the recipient acquire any rights relating to it. The recipient of the drawing undertakes to maintain maximum confidentiality on the same and not to make any use of it, in whole or in part, that is not previously authorized in writing by Eurotermo Srl. The recipient also undertakes to impose and guarantee compliance with the aforementioned obligations to its employees and / or collaborators, including external ones, by responding to Eurotermo Srl of any violations on their part.

Normative / Stds reference UNI EN 13828:2004	Condizioni di utilizzo / Terms of Use		
Compatibilità / Compatibility UBA list	Acqua Pressione massima 10bar Temperatura massima in continuo 70°C Temperatura di picco 90°C Temperatura minima -10°C	Water Maximum pressure 10bar Maximum temperature in continuous 70°C Peak temperature 90°C Minimum temperature -10°C	
Certificazioni / Homologations -	No SHOCK termico Funzionalità garantita solo a valvola aperta o chiusa, non parzialmente aperta o chiusa	No thermal SHOCK Functionality is guaranteed only with open or closed valve, not partially open or closed	

MARCATURA SUL LATO OPPOSTO
MARKING ON OPPOSITE SIDE



Per confezionamento vedere specifica imballo / For packaging please refer to packaging instruction:					
	DISEGNATO/DRAWN D. Bertoli	DATA/DATE 21/05/2020	APPROVATO/CHECKED M.S.	DATA/DATE 21/05/2020	SCALA/SCALE 2:1
	MATERIALE BASE/BASE MATERIAL UNI EN 12164 CW511L	ASPETTO / APPEARANCE CROMATO / CHROME PLATED		FORMAT A4	
TENUTA SFERA/SPHERE SEAL guarnizione in PTFE RIMACINATO/REGRIND PTFE gasket	TENUTA ASTA/SPINDLE SEAL EPDM 70ShA O-ring		DESCRIZIONE/DESCRIPTION VALVOLA A SFERA "MINI" DN8 G1/2"M x G1/2"F LEVA NERA BALL VALVE "MINI" DN8 G1/2"M x G1/2"F WITH BLACK HANDLE		
NUM.DIS/DRAW.-NR. 010NL3439-DS					