

Installation guide

Solenoid valve

Types EVR 2 - EVR 22 (NC/NO)

032R9545

032R9545

Refrigerants:

R22/R407C, R404A/R507, R410A, R134a, R407A, R23, R32, R290, R600, R600a.

For other refrigerants, contact Danfoss.

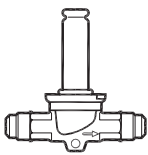
Note: Only EVR 2 - EVR 20 with solder connections and without manual stem are suitable for R32, R290, R600 and R600a.

For refrigerants type R32, R290, R600, R600a always use coils with protection degree IP65 or IP67.

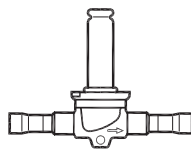


An external current fuse (rated current of fuse should be around two times of coil rated current, fuse type: medium time lag) shall always be installed ahead of coils to prevent sparks, arcs, over heat, or short circuit (except ATEX coils).

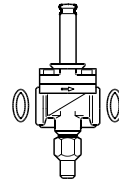
EVR (NC flare)



EVR (NC solder)

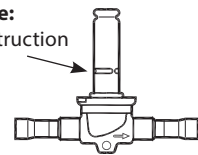


EVR (NC flange)

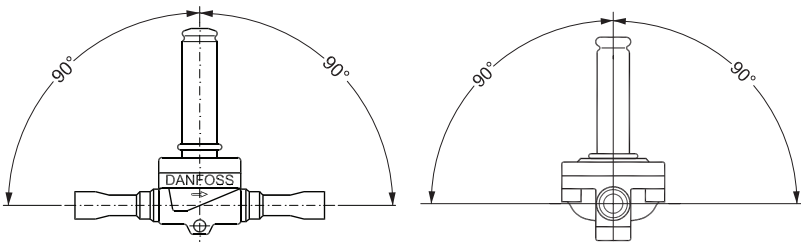


EVR (NO solder)

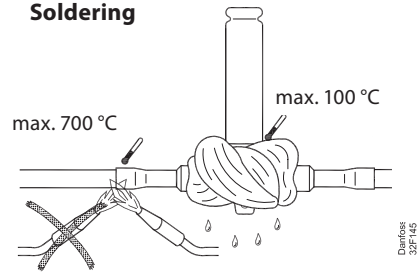
Note:
tube construction



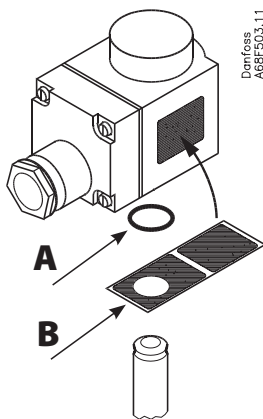
Mounting directions



Soldering



Coil and O-ring



Danfoss
A68F503.11

A: Be sure that the O-ring is in place

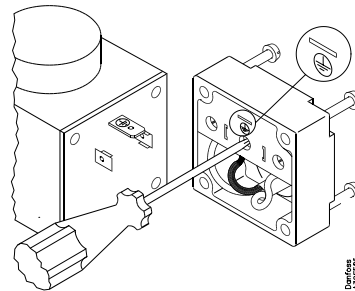
B: Sticker applies only to UL products



Warning

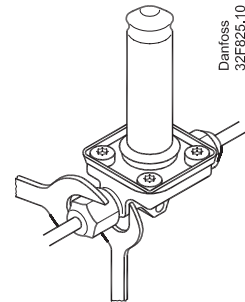
Never switch on power to the coil when the coil is dismounted from the valve. Otherwise the coil may be damaged and there is risk of injuries and burns.

Electrical connections



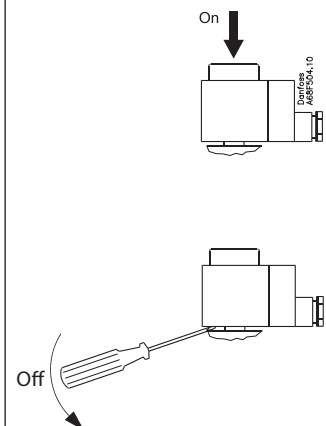
Danfoss
A2739E

Flare mounting



Danfoss
32F825.10

Mounting / dismounting coil



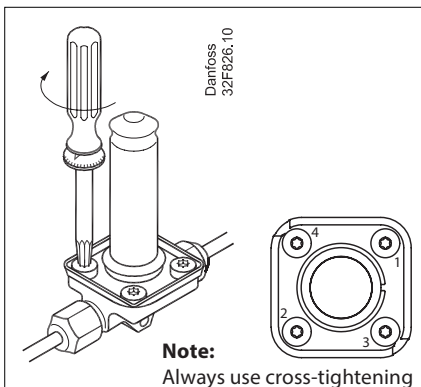
Max. coil temperature	
9 W AC (EVR 2)	t _{max} = 40 °C
10/12 W AC	t _{max} = 80 °C
20 W DC	t _{max} = 50 °C
10 W AC	t _{max} = 55 °C

Media temperature	
Min. medium temperature	t _{min} = -40 °C
Max. medium temperature	t _{max} = 105 °C

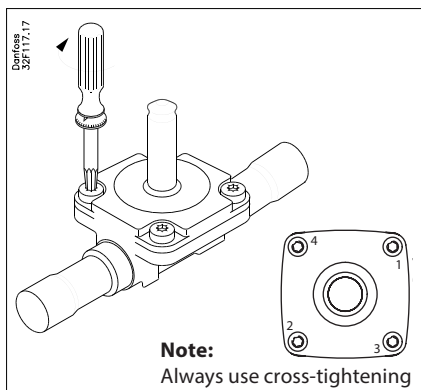
	EVR 2 – EVR 8 [bar]	EVR 10 [bar]	EVR 15 – EVR 22 [bar]
Max. working pressure PS/MWP	45.2	35	32
Max. operating diff. pressure (MOPD)	Coil dependent		

Service only

Mounting / dismounting of top part

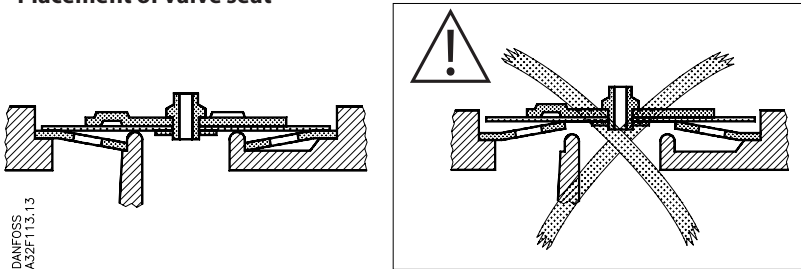


Type	[Nm]	[kpm]	[ft-lbs]	Torx size
EVR 2, EVR 3	1.4	0.15	1	T15
EVR 4, EVR 6, EVR 8	2.0	0.2	1.44	T15/T20

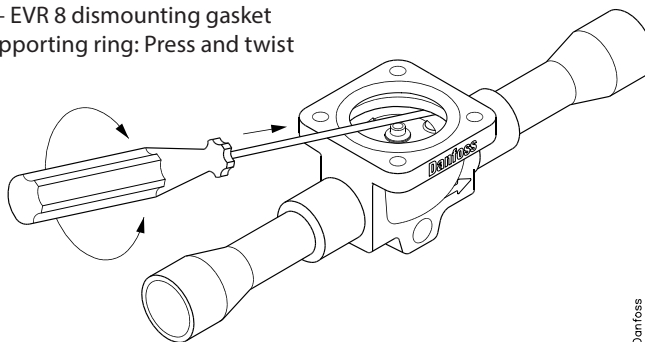


Type	[Nm]	[kpm]	[ft-lbs]	Torx size
EVR 10, EVR 15, EVR 18	2.8	0.3	2	T25
EVR 20, EVR 22	12	1.2	9	T40

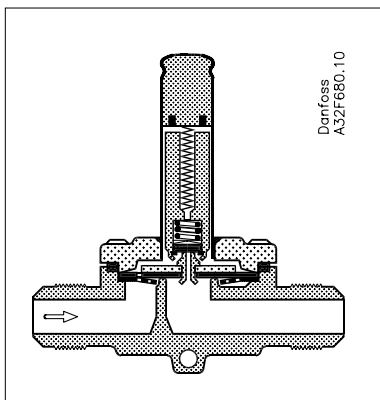
Placement of valve seat



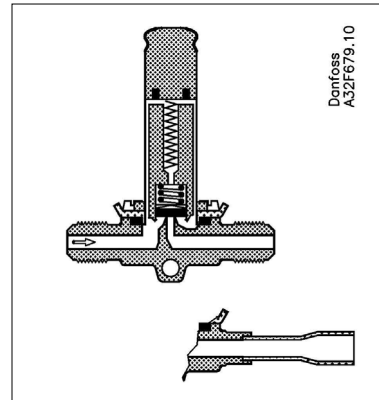
EVR 4 – EVR 8 dismounting gasket and supporting ring: Press and twist



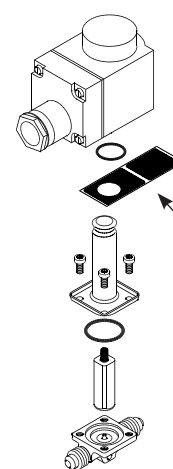
EVR 10 – EVR 22 (NC)



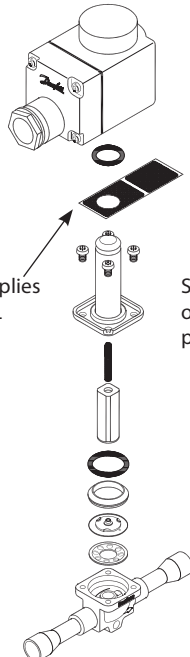
EVR 2 – EVR 8 (NC)



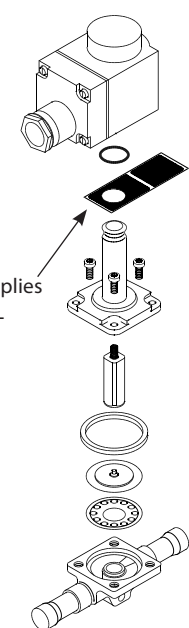
EVR 2 – EVR 3 (NC)



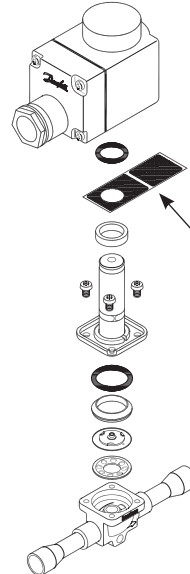
EVR 4 – EVR 8 (NC)



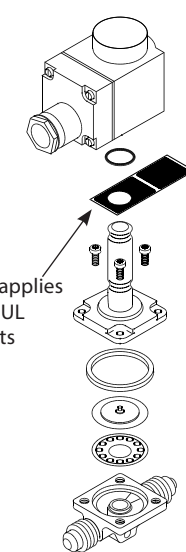
EVR 10 – EVR 22 (NC)



EVR 4 – EVR 8 (NO)



EVR 10 – EVR 20 (NO)



Sticker applies only to UL products

Sticker applies only to UL products

Sticker applies only to UL products