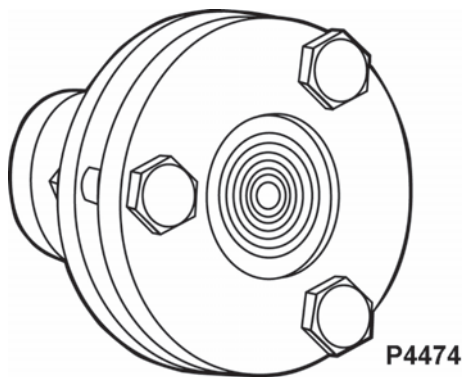


OIL LEVEL REGULATOR ADAPTER KIT



All kits include necessary hardware, gaskets and sight glasses to mount Oil Level Regulators to various compressors shown in this table.

***KIT 3-033-201 INCLUDED WITH ALL OIL LEVEL REGULATORS**

NOTE: For compressors not listed above, a universal adapter kit is available Part No. 3-033-217. This adapter kit has a 3-hole flange to mount to the regulator. The compressor end of the kit is a 1-1/4" OD steel tube. The existing compressor sight glass gland or flange must be bored out or bushed down to accept the 1-1/4" tube. The tube is then brazed or welded to the reworked gland or flange and installed on the compressor.

ADAPTER KIT PART NO	SIGHT GLASS OIL LEVEL	COMPRESSOR MANUFACTURER	SIGHT GLASS CONFIGURATION
3-033-201*	1/2	Dunham-Bush Big 4	3 Bolt 1-7/8 B.C.
3-033-201*	1/2	Trane	3 Bolt 1-7/8 B.C.
3-033-201*	1/2	York	3 Bolt 1-7/8 B.C.
3-033-201*	1/4	Carrier (models EA & ER)	3 Bolt 1-7/8 B.C.
3-033-201*	1/4	Copeland (over 5 tons)	3 Bolt 1-7/8 B.C.
3-033-202	1/2	Copeland (under 5 tons)	1-1/8 - 12 Thread
3-033-202	1/2	Prestcold (model K)	1-1/8 - 12 Thread
3-033-203	1/2	Dunham-Bush (model D)	4 Bolt 2-1/8 B.C.
3-033-204	1/4	Carrier (DA,DR,5F,5H & 06D)	1-1/2 - 18 Thread
3-033-205	1/2	Schnacke-Grasso	2 x 16 Thread
3-033-206	1/2	Trane	5 Bolt 2-1/2 B.C.
3-033-207	1/4	Copeland (older model)	4 Bolt 2-1/8 B.C.
3-033-208	1/2	Vilter	1-1/2 NPT Thread
3-033-209	1/2	Vilter	2?NPT Thread
3-033-212	1/4	Copeland (model 8R)	3 Bolt 1-7/8 B.C.
3-033-218	1/2	Prestcold (C,E,R,L, & LG)	42mm Thread
3-033-218	1/2	Trane (model K)	3/4 NPT Thread
3-033-219	1/2	Schancke-Grasso	1-1/4 NPT Thread
3-033-228	1/2	Grasso Thermtrol	1?NPT Thread
3-033-242	1/2	Bristol	15/16 - 20 Thread
3-033-244	1/2	Bock	4 Bolt 1-31/32 B.C.
3-033-246	1/2	Maneurop	1-1/8 - 18 thread
3-033-253	1/2	Bitzer	4 Bolt 2?B.C.