

# NEW

## 2, 3 WAY BALL VALVE

6, 10, 12 mm - 1/4, 3/8, 1/2 in  
WITH OR WITHOUT SCHRAEDER PORT



### BALL VALVE FOR HIGH PRESSURE

- with manual control
- with Kit for actuator

#### TECHNICAL DATA SHEET A14003.00

#### FEATURES

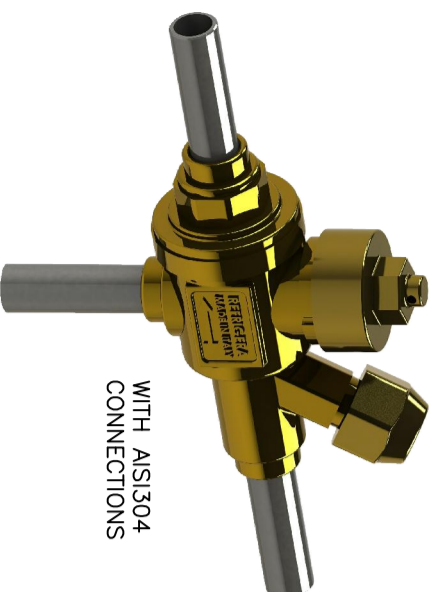
High quality valve for HVAC-R systems.  
Approved and in compliance with the following Regulations: PED (2014/68/EU), EAC, ATEX.

The valve features high mechanical strength and high reliability. It is designed in compliance with European Standards EN 12516-1, 2, 3. It is suitable for high operating pressures and can be used with low GWP fluids (in particular R744 transcritical).

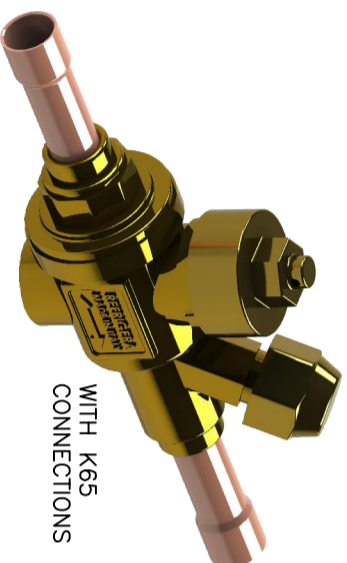
The strategy of continuous product innovation has made it possible to improve the resistance and energy efficiency of the valve, by analysing the flow lines and CFD fluid dynamics simulation software (for single phase and two phase fluids).

A continuous research of materials, starting from the refrigeration industry and going via the hydraulics and aerospace industry, has enabled us to improve the design and the tightness of the ball seats, thus minimising pressure drops and leakage practically to zero.

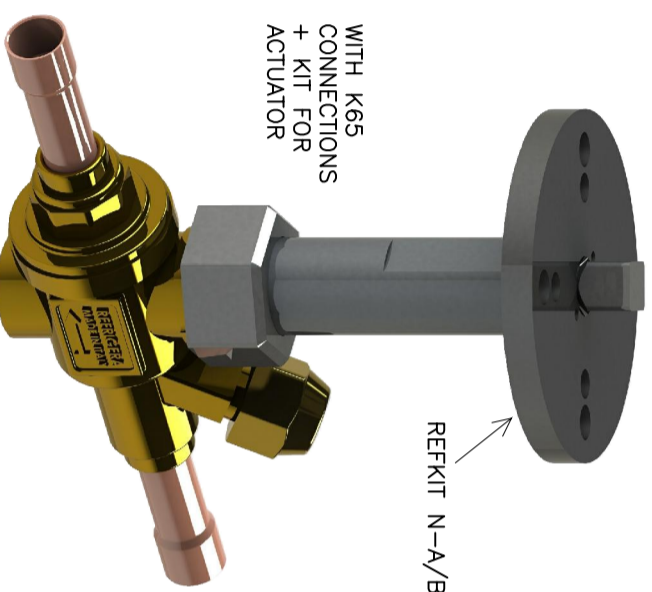
Functional testing on 100% of production and burst testing are carried out in-house on a specially designed high pressure system.



WITH AISI304 CONNECTIONS



WITH K65 CONNECTIONS

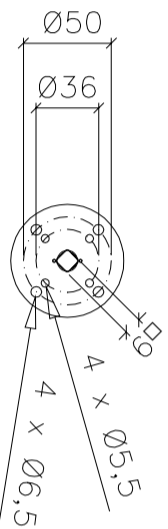


WITH K65 CONNECTIONS + KIT FOR ACTUATOR

REFKIT N-A/B

#### VALVE MOTORISATION

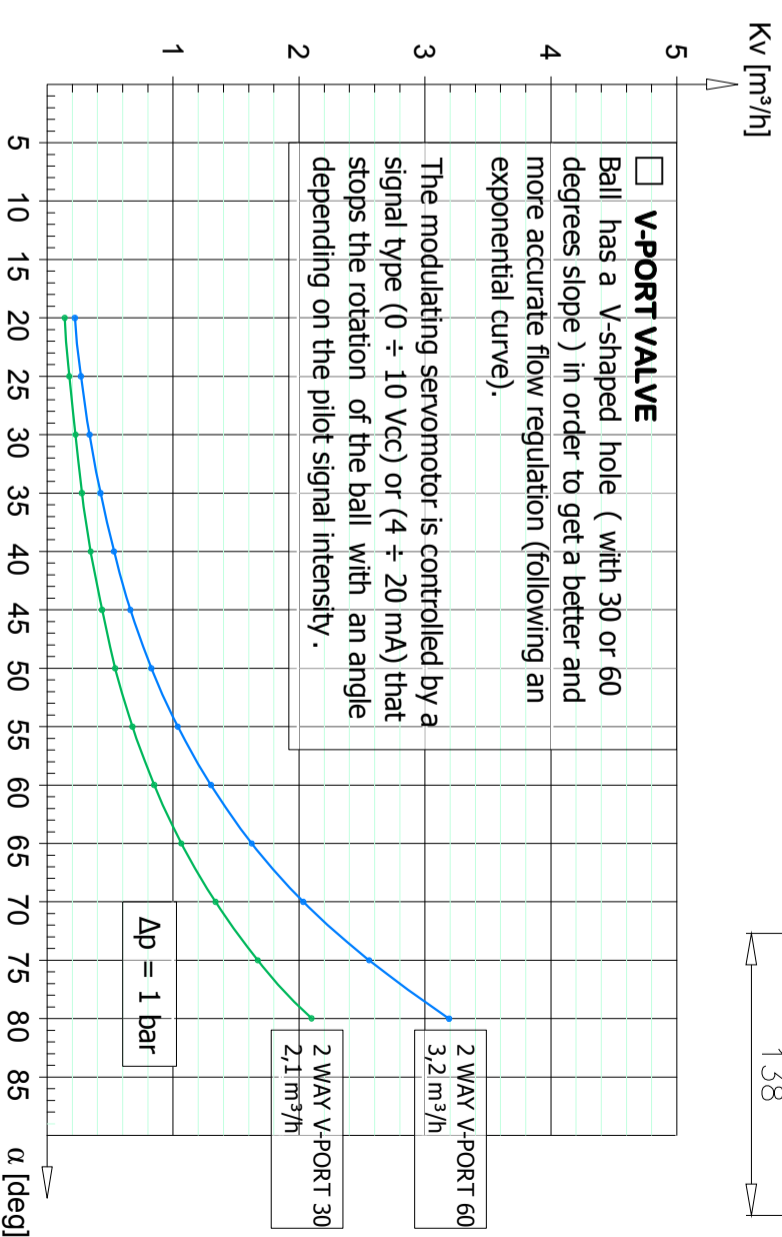
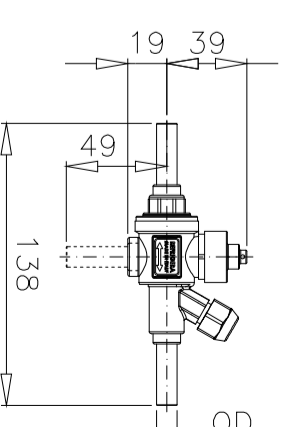
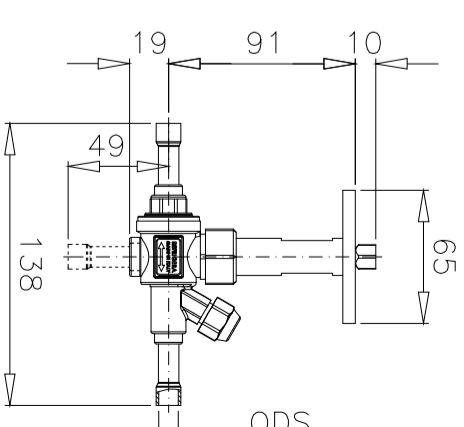
All Refrigera® valves can be motorised. The valve - actuator kit has an internal sealing device and can be mounted easily on the valve by means of an ISO 5211 F03, F05 connecting flange with size 9 square.



### SPECIFICATIONS

Maximum allowable pressure  
R744 (transcritical) : 140 bar  
Fluid temperature range : - 40 °C + 150 °C  
Operating fluids : R744  
Valve Body : CW617N UNI EN 12165  
Ball : CW617N UNI EN 12165 (chromed)  
Connections : CUDHP, K65, AISI304  
2-way Valve weight : 310 g  
3-way Valve weight : 300 g  
Outflow coefficient  $K_v = 4,1 \text{ m}^3/\text{h}$  ( 2 way full bored ball valve )  
Outflow coefficient  $K_v = 2,2 \text{ m}^3/\text{h}$  ( 3 way full bored ball valve )

2 WAY VALVE CODE	3 WAY VALVE CODE	CONNECTIONS	MATERIAL
REF1.1.S.A.N06.1.140	REF1.1.S.A.N06.1.M14	ODS 6 mm	CUDHP
REF1.1.S.A.N10.K140	REF1.1.S.A.N10.MK140	ODS 10 mm	K65
REF1.1.S.A.N12.K140	REF1.1.S.A.N12.MK140	ODS 12 mm	K65
REF1.1.S.A.N06.2.140	REF1.1.S.A.N06.2.M14	ODS 1/4 in	CUDHP
REF1.1.S.A.N38.K140	REF1.1.S.A.N38.MK140	ODS 3/8 in	K65
REF1.1.S.A.N127.K14	REF1.1.S.A.N127.MK14	ODS 1/2 in	K65
REF1.1.S.A.N10.1.140	REF1.1.S.A.N10.1.M14	OD 10 mm	AISI304
REF1.1.S.A.N12.1.140	REF1.1.S.A.N12.1.M14	OD 12 mm	AISI304



#### WARRANTY

All REFRIGERERA® valves are guaranteed for a period of twelve months from the date of shipment. The warranty, for material that must be returned free of charge to the REFRIGERERA® Headquarters, is limited to the replacement of a valve that has not been tampered with and that is considered faulty after use in conditions compatible with the characteristics. The warranty repairs do not imply our liability to third parties and the possibility of requesting refunds or compensation under any circumstances.

#### Refrigerera Industriale Srl

Components for refrigeration and air conditioning  
33084 Cordenons (PN) - Via Chiavornico, 76 - ITALIA - info@refrigerera.eu - www.refrigerera.eu