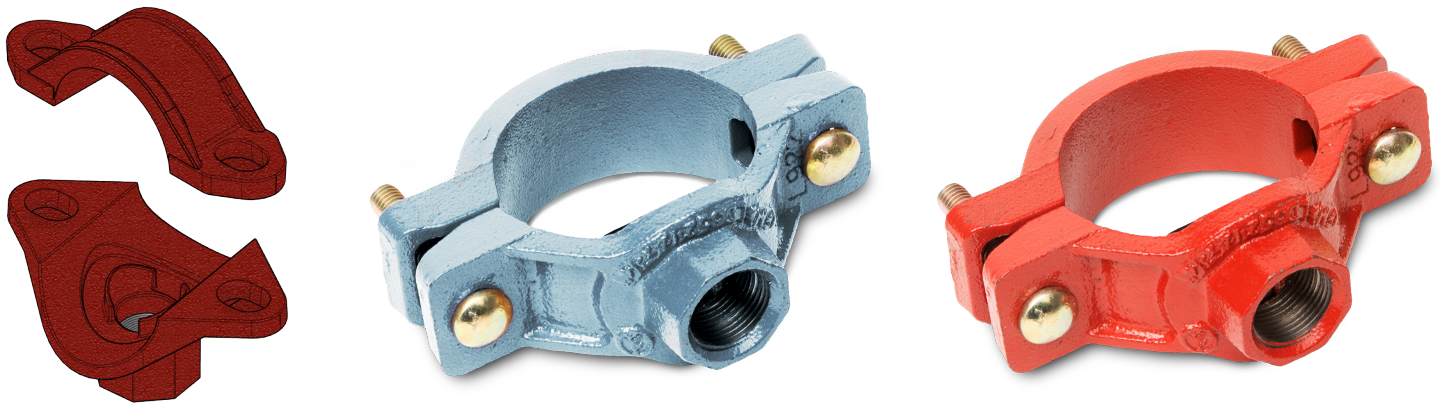
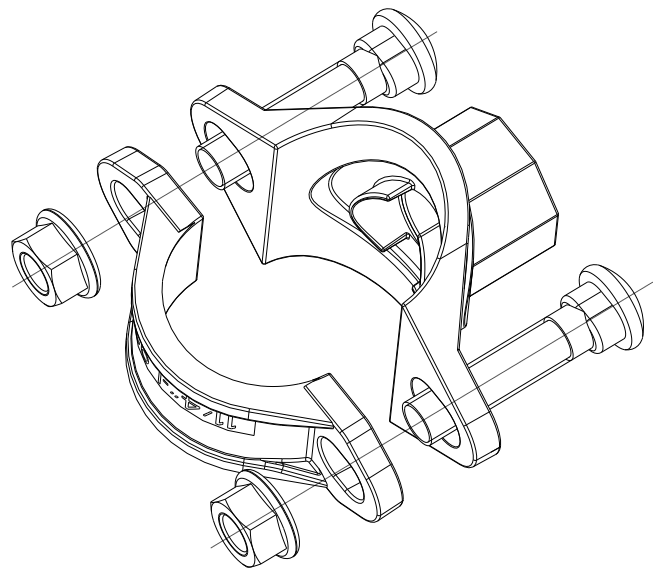
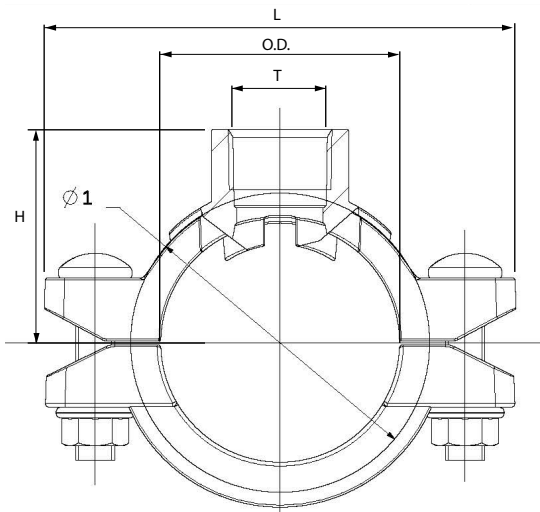


THREADED BSPT OUTLET



Sprinkler tees are designed for direct connections of sprinkler heads.
Thanks to the pipe-shaped casting collar and outlet shape, this design is easy-to-install



Material specifications

Housing: ductile iron conform to ASTM A536 GR65-45-12

Coating

- Hot dip galvanized
- Red paint coating RAL 3000, EPD Epoxy coating

Rubber gaskets: EPDM gaskets dispose of the international certifications and have undergone the aging test at 110°C/230°F during a period of 45 days/1080 hours and the frozen test at -40°C/-40°F during a period of 4 days/96 hours

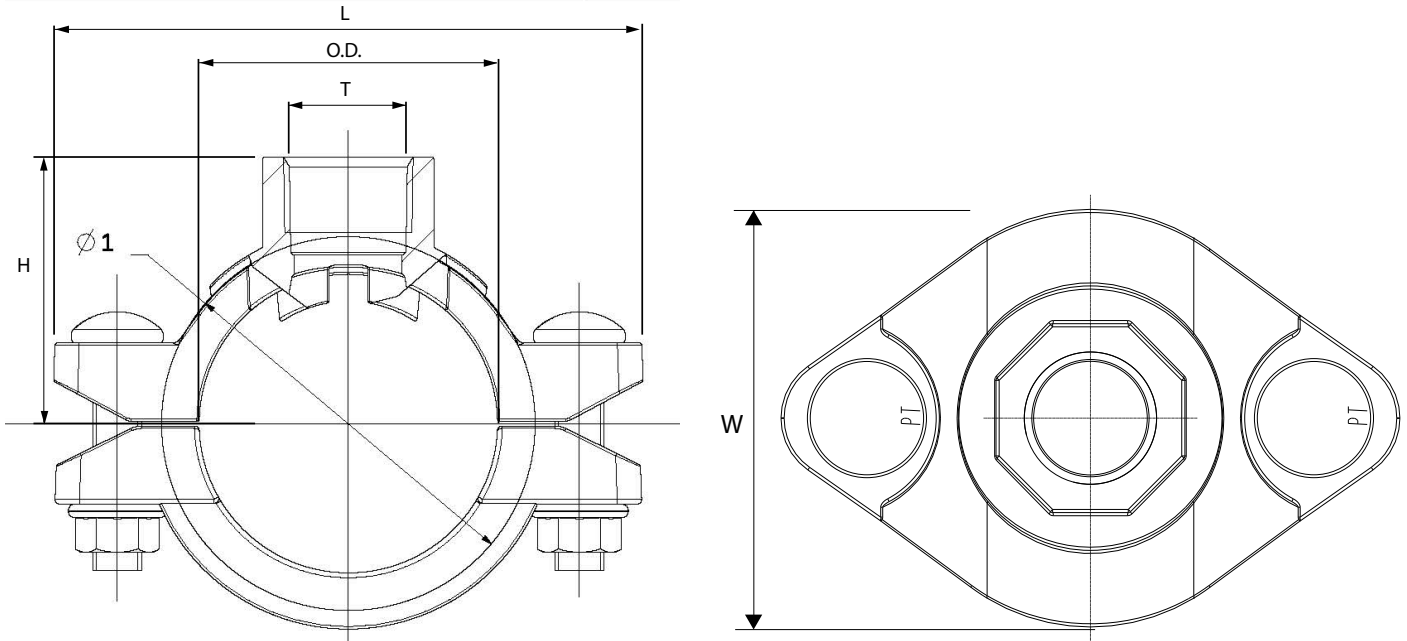
Bolts and nuts: see technical datasheet bolts and nuts

Working pressure

300 PSI/2068 kPa

General notes:

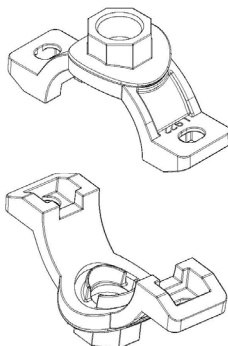
- Pressure ratings listed are CWP (cold working pressure) or maximum working pressure within the service temperature range of the gasket used in the coupling. This rating may occasionally differ from maximum working pressure listed and/or approved by UL and/or FM, as testing conditions and test pipes differ. For more information, please contact info@profitings.eu.
- Maximum working pressure listed is total of internal and external pressures, based on standard weight (ANSI) steel pipe and standard roll or cut groove, in accordance with Profit specifications. For more information, please contact info@profitings.eu.
- For one time field test only, the maximum joint working pressure may be increased one and a half times the figure shown.
- Warning: Piping systems must always be depressurized and drained before attempting disassembly and/or removal of any components.
- Profit reserves the right to change specifications, designs and/or standard equipment without notice and without incurring in any obligations.
- Profit red coated products are intended for piping with indoor application (EN 12944-2 corrosivity category C1 & C2). For outdoor installations near the sea (corrosivity category C3) we advise to use our hot dip galvanized couplings and fittings. For application in corrosivity category C4 (higher salinity climate) or higher, please contact info@profitings.eu.
- We strongly advise to always store our products in closed and dry warehouses.
- Mechanical cross not FM and UL certified.



Reference		Nominal size Run x Reducing size		Pipe Ø O.D. - T	Full casting sprinkler tee dimensions				Hole cut*	Bolt size	Socket wrench	Bolt torque	Weight
Red	Galva	NPS inch	DN mm	mm	L mm	H mm	W mm	Ø mm	mm	d1xL	mm	N*M	Kg
GSTFCR	GSTFCG	1¼-½	32-15	42,4 x 21,3	98	42,5	65	52	30+1	M10x40	15	44-54	0,42
GSTFCR	GSTFCG	1¼-¾	32-20	42,4 x 26,9	98	42,5	65	52	30+1	M10x40	15	44-54	0,46
GSTFCR	GSTFCG	1¼-1	32-25	42,4 x 33,7	98	51,5	65	52	30+1	M10x40	15	44-54	0,50
GSTFCR	GSTFCG	1½-½	40-15	48,3 x 21,3	105,6	46,5	65	57,5	30+1	M10x40	15	44-54	0,44
GSTFCR	GSTFCG	1½-¾	40-20	48,3 x 26,9	105,6	46,5	65	57,5	30+1	M10x40	15	44-54	0,44
GSTFCR	GSTFCG	1½-1	40-25	48,3 x 33,7	105,6	54,5	65	57,5	30+1	M10x40	15	44-54	0,52
GSTFCR	GSTFCG	2-½	50-15	60,3 x 21,3	120	52	56	76	30+1	M10x55	15	44-54	0,64
GSTFCR	GSTFCG	2-¾	50-20	60,3 x 26,9	120	52	56	76	30+1	M10x55	15	44-54	0,68
GSTFCR	GSTFCG	2-1	50-25	60,3 x 33,7	120	52	64	85	38+1	M10x55	15	44-54	0,72
GSTFCR	GSTFCG	2½-½	65-15	76,1 x 21,3	139	59	56	93	30+1	M10x55	15	44-54	0,76
GSTFCR	GSTFCG	2½-¾	65-20	76,1 x 26,9	139	59	56	93	30+1	M10x55	15	44-54	0,79
GSTFCR	GSTFCG	2½-1	65-25	76,1 x 33,7	139	60	64	99	38+1	M10x55	15	44-54	0,88

TYVEK LABEL EXAMPLE

Full casting sprinkler tee	
GSTFC	
1¼-½	1½-1
1¼-¾	2-½
1¼-1	2-¾
1½-½	2½-½
1½-¾	2½-¾
Hole cut dimension 30(+1mm)	



* Please note that the **correct hole cut dimension** is mentioned:

- on the Tyvek label which is attached to the product itself
- on the document called 'Hole cut dimensions', which is added to each delivery from our warehouse Profit Europe, Belgium. This document is attached to the outside of the first box in a plastic pouch with reference 'Documents enclosed'

Mechanical cross** conversion				
	Main pipe diameter		Maximum outlet mechanical cross	
Inch	DN mm	O.D. mm	DN mm	Thread size T
2	50	60,3	25	1"

General notes:

- Pressure ratings listed are CWP (cold working pressure) or maximum working pressure within the service temperature range of the gasket used in the coupling. This rating may occasionally differ from maximum working pressure listed and/or approved by UL and/or FM, as testing conditions and test pipes differ. For more information, please contact info@profitings.eu.
- Maximum working pressure listed is total of internal and external pressures, based on standard weight (ANSI) steel pipe and standard roll or cut groove, in accordance with Profit specifications. For more information, please contact info@profitings.eu.
- For one time field test only, the maximum joint working pressure may be increased one and a half times the figure shown.
- Warning: Piping systems must always be depressurized and drained before attempting disassembly and/or removal of any components.
- Profit reserves the right to change specifications, designs and/or standard equipment without notice and without incurring in any obligations.
- Profit red coated products are intended for piping with indoor application (EN 12944-2 corrosivity category C1 & C2). For outdoor installations near the sea (corrosivity category C3) we advise to use our hot dip galvanized couplings and fittings. For application in corrosivity category C4 (higher salinity climate) or higher, please contact info@profitings.eu.
- We strongly advise to always store our products in closed and dry warehouses.
- **Mechanical cross not FM and UL certified.